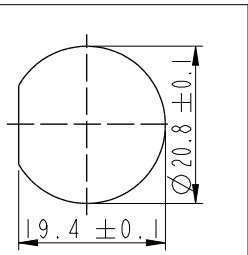
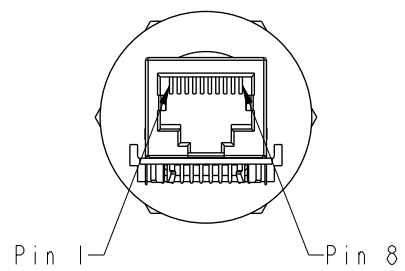
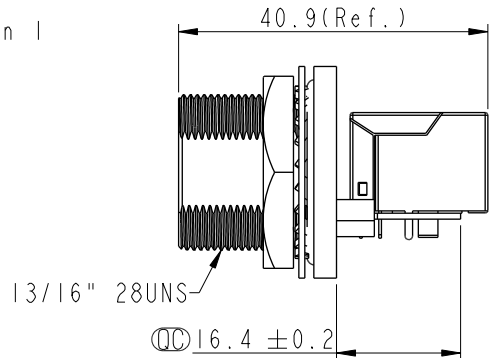
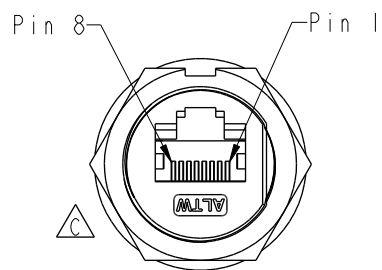
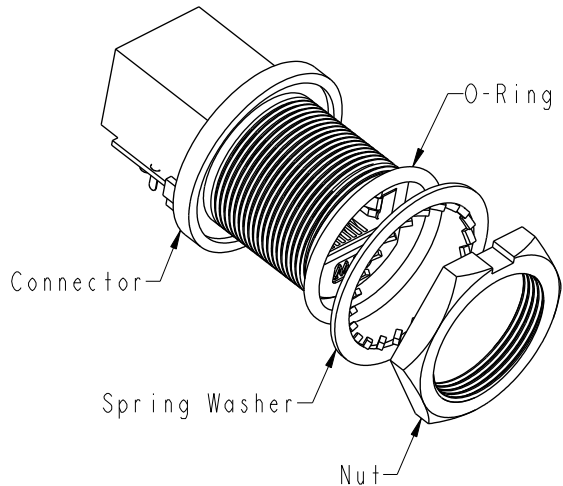
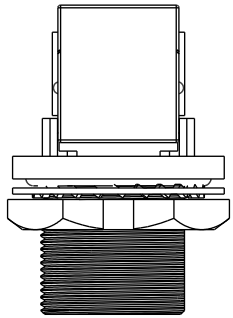


REV.	ECN NO.	DATE	SIGN	DESCRIPTION
C	C180506	2018/12/03	Ouyang	Change Loge
D	C190405	2019/03/18	Ruru	Modify Note
E	C220801	2022/06/07	Vicky	$\triangle E$ X2



Recommended Panel Cut-Out

- $\triangle D \triangle E$ Note:
- * RoHS Compliant
 - * CC Important dimension
 - * Waterproof rate: IPX7, unmated
 - * Connector Housing: Metal, RJ45 jack, shielded
 - * Nut: Metal
 - * Spring Washer: Metal
 - * O-Ring: Rubber, Gray_Black
 - $\triangle B$ * Use with waterproof cap or dust cap Panel thickness max: 3.0mm
 - $\triangle B$ * Use without waterproof cap or dust cap Panel thickness max: 4.2mm
 - * Nut is packed separately in pe bag

UNIT: mm			TITLE RJ, C METAL, C5E SHLD FRONT FASTENED, F, PNL JACK S, SCREW	$\triangle E$
TOLERANCE .X ±0.25 .XX ±0.1 .XXX ±0.05 ANGLES ±1°	SCALE 1:1	SIZE A4	SHEET 1 OF 1	REV. E
	WC-REV. A.8	CC : Inspection item		

Amphenol LTW
安費諾亮泰企業股份有限公司

ITEM NO RCM-5SPFFH-SCU7001	DRAWN BY Ruru	DATE 2019-03-18
DWG NO RCM-5SPFFH-SCU7001	CHECKED BY Rita	DATE 2019-03-18
CUSTOMER ALTW	APPROVED BY Max	DATE 2019-03-18

THIS DOCUMENT IS SUBJECT TO CHANGE WITHOUT NOTICE. IT IS CONFIDENTIAL AND A PROPERTY OF Amphenol LTW. DISCLOSURE TO THIRD PARTY HAS TO BE AUTHORIZED BY Amphenol LTW.