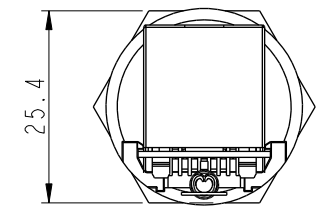
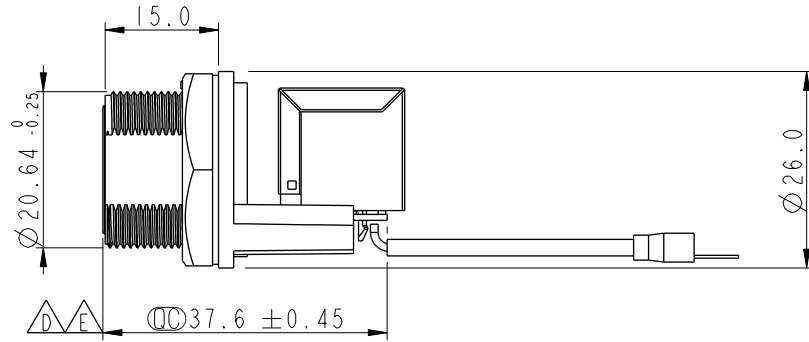
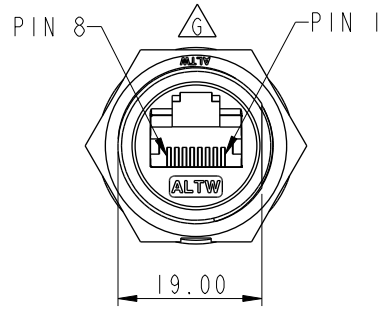
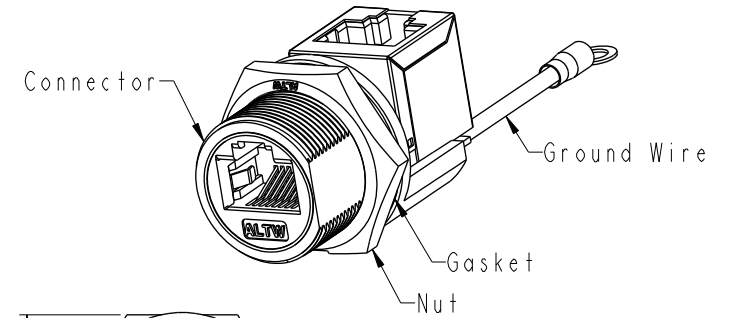
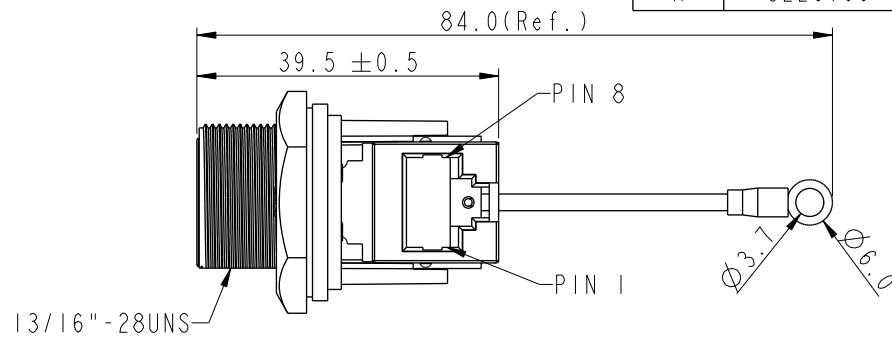
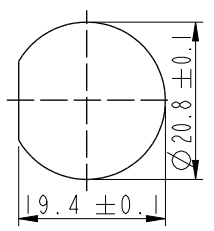


REV.	ECN NO.	DATE	SIGN	DESCRIPTION
F	C190405	2019/03/18	Ruru	Modify Note
G	C200524	2020/04/22	Vicky	$\triangle G$ X2
H	C220799	2022/05/26	Vicky	$\triangle H$ X1



- $\triangle G$ $\triangle H$ Note:
- * RoHS Compliant
 - * $\text{\textcircled{C}}$ Important dimension
 - * Waterproof rate: IPX7, unmated
 - * Connector
 - Housing: Thermoplastic, Black, RJ45 jack, shielded
 - * Nut: Thermoplastic, Black
 - * Gasket: Rubber, Gray
 - * Use with waterproof cap or dust cap
 - Panel thickness max: 3.0mm
 - * Use without waterproof cap or dust cap
 - Panel thickness max: 4.2mm
 - * Gasket and nut are assembled on connectors
 - * Wire: UL1015, 20AWG, Green



Recommended Panel Cut-Out

UNIT: mm	$\text{\textcircled{G}}$	$\text{\textcircled{H}}$	TITLE RJ, C PLASTIC, C5E SHLD FRONT FASTENED, F, PNL JACK R, SCREW	
TOLERANCE	.X ±0.25	.XX ±0.1	SCALE 1:1	SIZE A4
.XXX ±0.05	ANGLES ±1°	REV. H	WC-REV. B.6	SHEET 1 OF 1
		$\text{\textcircled{C}}$: Inspection item		

Amphenol LTW
安費諾亮泰企業股份有限公司

ITEM NO RCP-5SPFFV-SCU7002	DRAWN BY Ruru	DATE 2019-03-18
DWG NO RCP-5SPFFV-SCU7002	CHECKED BY Rita	DATE 2019-03-18
CUSTOMER ALTW	APPROVED BY Max	DATE 2019-03-18

THIS DOCUMENT IS SUBJECT TO CHANGE WITHOUT NOTICE. IT IS CONFIDENTIAL AND A PROPERTY OF Amphenol LTW. DISCLOSURE TO THIRD PARTY HAS TO BE AUTHORIZED BY Amphenol LTW.