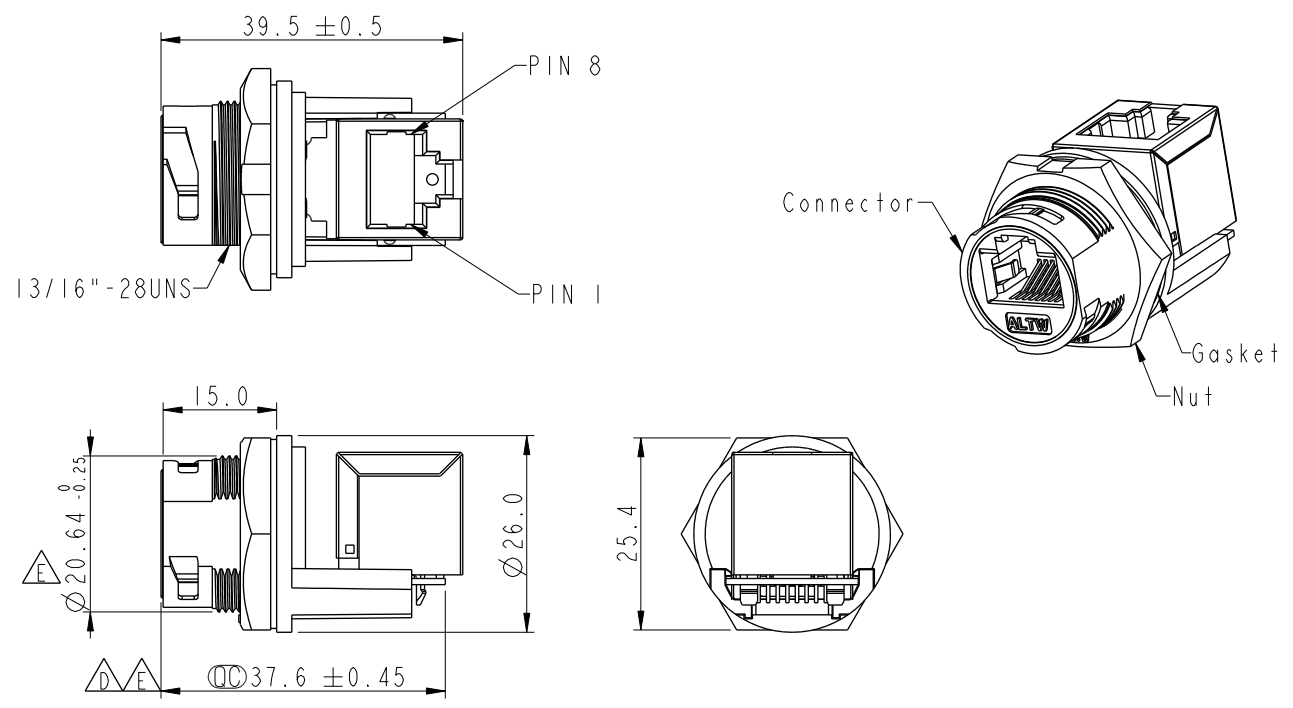
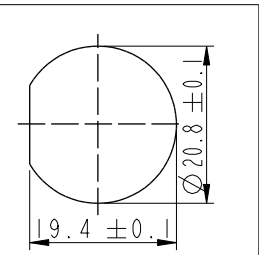


THIS DOCUMENT IS SUBJECT TO CHANGE WITHOUT NOTICE. IT IS CONFIDENTIAL AND A PROPERTY OF AMPHENOL LTW. DISCLOSURE TO THIRD PARTY HAS TO BE AUTHORIZED BY AMPHENOL LTW.

REV.	ECN NO.	DATE	SIGN	DESCRIPTION
E	LEN1810039	2017/11/28	Jalam	Change The Tolerance
F	C190405	2019/03/15	Ruru	Modify Note
G	C220799	2022/05/26	Vicky	$\triangle G$ X2



- $\triangle F$   $\triangle G$  Note:
- \* RoHS Compliant
  - \*  $\text{\textcircled{C}}$  Important dimension
  - \* Waterproof rate: IPX7, unmated
  - \* Connector Housing: Thermoplastic, Black, RJ45 jack, shielded
  - \* Nut: Thermoplastic, Black
  - \* Gasket: Rubber, Gray
  - \* Use with waterproof cap or dust cap  
Panel thickness max: 1.8mm
  - \* Use without waterproof cap or dust cap  
Panel thickness max: 3.0mm
  - \* Gasket and nut are packed separately in pe bag



Recommended Panel Cut-Out

UNIT: mm		TITLE			ITEM NO.	DRAWN BY	DATE
		RJ, C PLASTIC, C5E SHLD FRONT FASTENED, F, PNL JACK R, 3LOCK			RCP-5SPFFV-TCU7001	Ruru	2019-03-15
TOLERANCE		SCALE	SIZE	SHEET	DWG NO.	CHECKED BY	DATE
.X ±0.25		1:1	A4	1 OF 1	RCP-5SPFFV-TCU7001	Rita	2019-03-15
.XX ±0.1		REV.	WC-REV.		CUSTOMER	APPROVED BY	DATE
.XXX ±0.05		G	B.5		ALTW	Max	2019-03-15
ANGLES ±1°		$\text{\textcircled{C}}$ : Inspection item					

**Amphenol LTW**  
安費諾亮泰企業股份有限公司