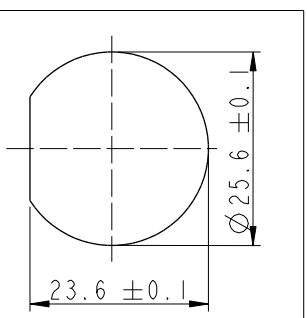
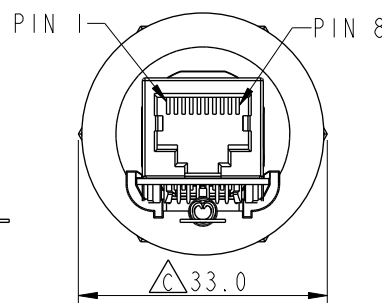
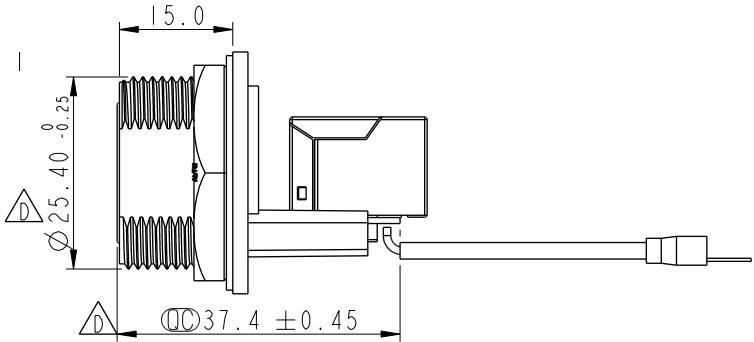
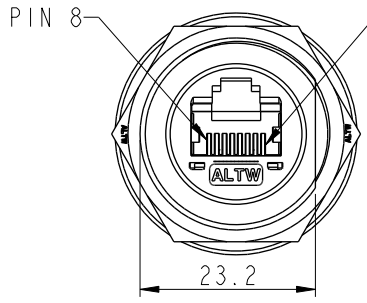
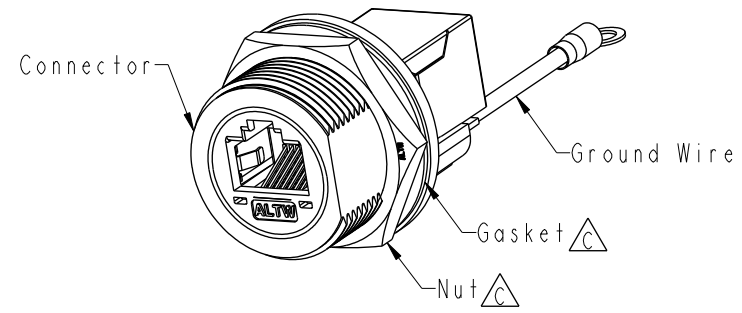
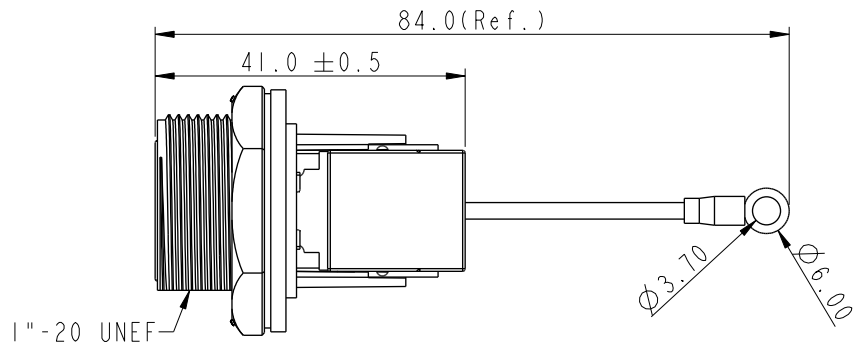


THIS DOCUMENT IS SUBJECT TO CHANGE WITHOUT NOTICE. IT IS CONFIDENTIAL AND A PROPERTY OF Amphenol LTW. DISCLOSURE TO THIRD PARTY HAS TO BE AUTHORIZED BY Amphenol LTW.

REV.	ECN NO.	DATE	SIGN	DESCRIPTION
D	LEN1810031	2017/11/29	Jalam	Modify The Tolerance
E	C190405	2019/03/18	Ruru	Modify Note
F	C220800	2022/05/31	Vicky	△ F X2



Recommended Panel Cut-Out

- △ F Note:
- * RoHS Compliant
 - * Ⓞ Important dimension
 - * Waterproof rate: IPX7, mated
 - * Connector Housing: Thermoplastic, Black, RJ45 jack, shielded
 - * Nut: Thermoplastic, Black
 - △ C * Gasket: Rubber, Gray
 - * Use with waterproof cap or dust cap
Panel thickness max: 2.4mm
 - * Use without waterproof cap or dust cap
Panel thickness max: 3.6mm
 - * Gasket and nut are assembled on connectors
 - * Wire: UL1015, 20AWG, Green

UNIT: mm			TITLE RJ, D PLASTIC, C5E SHLD FRONT FASTENED, F, PNL JACK S, SCREW
TOLERANCE .X ±0.25 .XX ±0.1 .XXX ±0.05 ANGLES ±1°	SCALE 1:1	SIZE A4	SHEET 1 OF 1
REV. F	WC-REV. A.6	Ⓞ: Inspection item	

Amphenol LTW
安費諾亮泰企業股份有限公司

ITEM NO. RDP-5SPFFH-SCM7002	DRAWN BY Ruru	DATE 2019/03/18
DWG NO. RDP-5SPFFH-SCM7002	CHECKED BY Rita	DATE 2019/03/18
CUSTOMER ALTW	APPROVED BY Max	DATE 2019/03/18