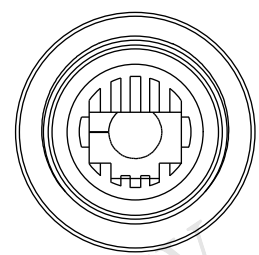
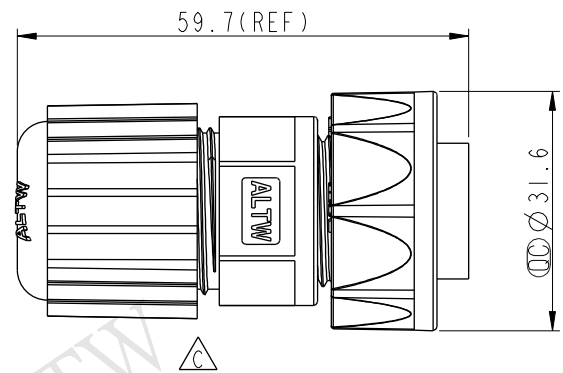
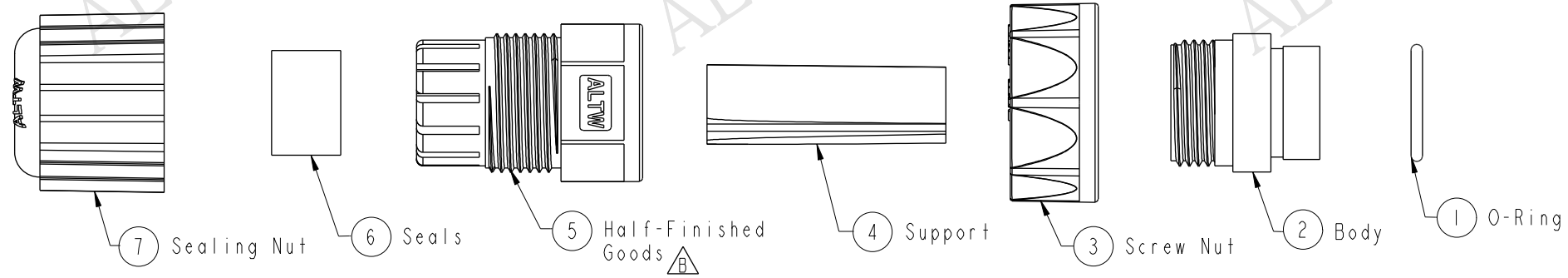


THIS DOCUMENT IS SUBJECT TO CHANGE WITHOUT NOTICE. IT IS CONFIDENTIAL AND A PROPERTY OF Amphenol LTW. DISCLOSURE TO THIRD PARTY HAS TO BE AUTHORIZED BY Amphenol LTW.

REV.	ECN NO.	DATE	SIGN	DESCRIPTION
B	LE3-880065	2008/08/20	Kathy Huang	Change The Clamp Ring & Gasket
C	LEN15B0047	2015/10/28	Ruru	Change Logo



**ALTW**  
 CONFIDENTIAL  
 2015-10-28  
 R&D DEPT.

**ALTW**  
 DCC. DEPT.  
 CONFIDENTIAL  
 2015.11.11  
 ISSUED

- Note:
- \*  $\varnothing$  Important Dimension
  - \* Waterproof Rate: IP67
  - \* O-Ring: EPDM, Black
  - \* Body: Nylon+GF
  - \* Screw Nut: Silver, ZINC
  - \* Support: TPU, Black
  - \*  $\triangle B$  Half-Finished Goods: Nylon(Black)& Silicone(Gray,Black)
  - \* Seals: EPDM, Black
  - \* Sealing Nut: Nylon, Black
  - \* Cable OD Max:  $\varnothing 6.5$

UNIT: mm			TITLE RJ45 Assy Screw M Conn M Pin
TOLERANCE	.X $\pm 0.25$	.XX $\pm 0.1$	.XXX $\pm 0.05$
ANGLES	$\pm 1^\circ$		
SCALE	1:1	SIZE A4	SHEET 1 OF 1
REV.	C	WC-REV. A.1	$\varnothing$ : Inspection item

**Amphenol LTW**  
 安費諾亮泰企業股份有限公司

ITEM NO. RJ-00BMA-SL7003	DRAWN BY Ruru	DATE 2015-10-28
DWG NO. RJ-00BMA-SL7003	CHECKED BY Rita	DATE 2015-10-28
CUSTOMER ALTW	APPROVED BY Lisa	DATE 2015-10-28