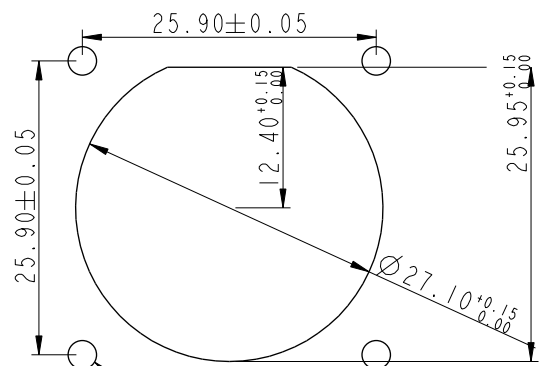
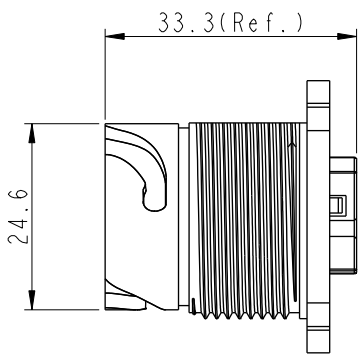
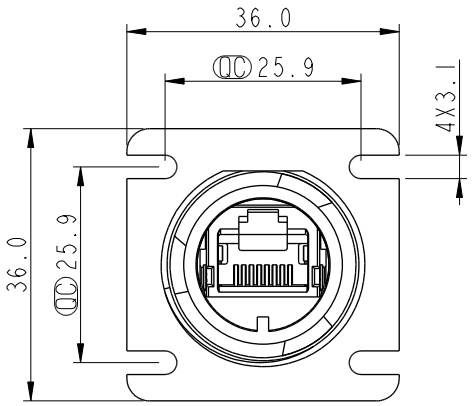
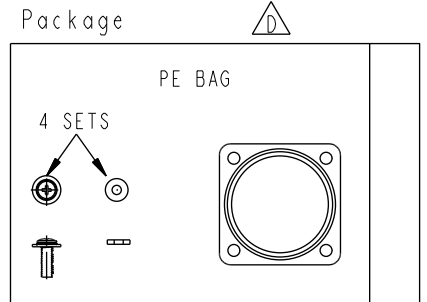
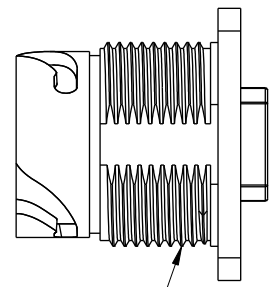
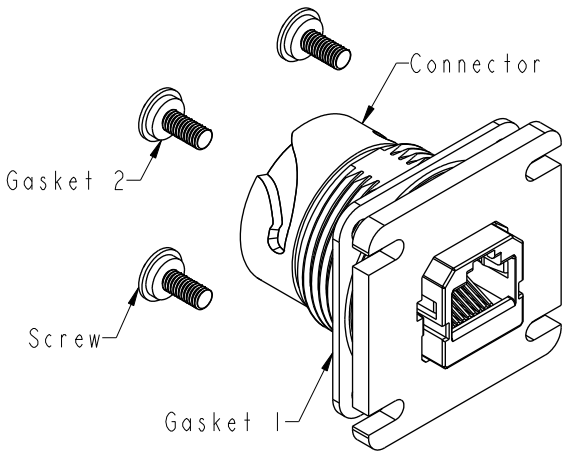


REV.	ECN NO.	DATE	SIGN	DESCRIPTION
D	LEN1670656	2016/07/19	Feng_Li	Modify Gasket Shape
E	C190405	2019/03/18	Ruru	Modify Note
F	C220801	2022/06/10	Vicky	△ F X2



4-M3.0x0.5, L=5 Min.
Blind-Hole, Effective Depth of Thread L*=3.5mm

Recommended Panel Cut-Out △ B

- △ F Note:
- * RoHS Compliant
 - * \varnothing Important dimension
 - * Waterproof rate: IPX7, mated
 - * Connector
 - Housing: Thermoplastic, Black, RJ45 jack, shielded
 - △ C * Gasket 1: Rubber, Black
 - * Gasket 2: Rubber, Black
 - * Screw: Metal
 - * Gasket and screw are packed separately in pe bag

UNIT: mm		TITLE	RJ, ODVA PLASTIC, C5E SHLD FRONT FASTENED, F, PNL JACK S, 3LOCK	
TOLERANCE	.X ±0.25	SCALE	1:1	SIZE A4
.XX ±0.1	.XXX ±0.05	REV.	F	WC-REV. B.5
ANGLES ±1°		◎: Inspection item		

Amphenol LTW
安費諾亮泰企業股份有限公司

ITEM NO	ROP-5SPFFH-TSM7001	DRAWN BY	Ruru	DATE	2019-03-18
DWG NO	ROP-5SPFFH-TSM7001	CHECKED BY	Rita	DATE	2019-03-18
CUSTOMER	ALTW	APPROVED BY	Max	DATE	2019-03-18

THIS DOCUMENT IS SUBJECT TO CHANGE WITHOUT NOTICE. IT IS CONFIDENTIAL AND A PROPERTY OF Amphenol LTW. DISCLOSURE TO THIRD PARTY HAS TO BE AUTHORIZED BY Amphenol LTW.