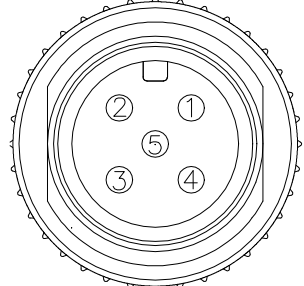
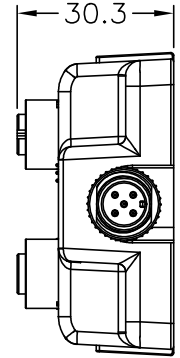
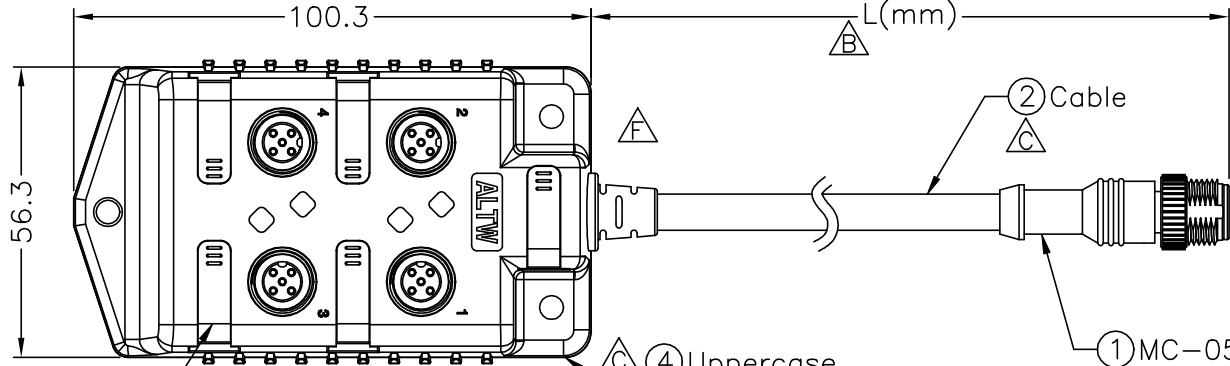
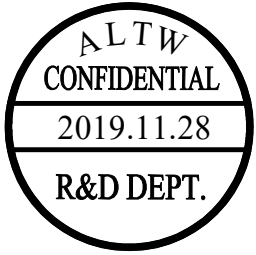
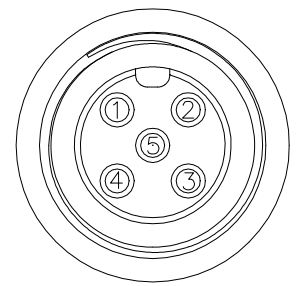


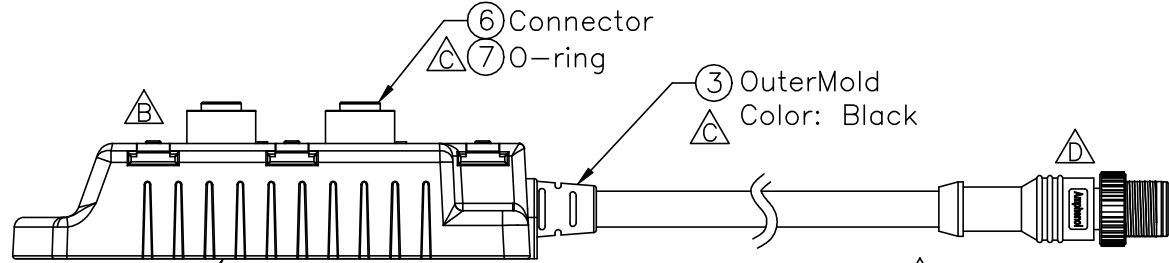
REV.	ECN NO.	DATE	SIGN	DESCRIPTION
D	LEN1670093~096	2016/07/01	Vicky	Update Logo
E	LE317C0070~073	2017/12/21	Tracy Hsu	Change UpperCase Material
F	C192044	2019/11/28	Fu	△*1



Pin Assignments
Front View



Pin Assignments
Front View



S-555500-FFFF00-SBXX

XX:01~99Meters
01:01Meter
02:02Meters
 :
 :
99:99Meters

Cable Length(L):01~99Meters

- Note:**
- * ② Important Dimension.
 - * Waterproof Rate : IP68 (水深1M,24H)
 - * Panel Connector: Nylon+GF, Black
 - * Cable Connector: PU, Black
 - * Pin: Copper Alloy, Gold Plated
 - * UpperCase Material: PC+PBT, Black
 - * Cable: (22AWG*1P+Al)+(18AWG*1P+Al)+Drain+Al.Mylar+Braid, OD=7.0mm
 - * Cable Length Tolerance: 01M:±40mm
 02M~05M:±60mm
 06M~10M:±100mm
 11M~30M:±200mm
 31M~99M:±500mm

5	Blue	藍	(22AWG)	Twist 對線
4	White	白	(22AWG)	
3	Black	黑	(18AWG)	Twist 對線
2	Red	紅	(18AWG)	
1	Drain	地線	(22AWG)	
Conn.	Wire Color			
Pin Out				

UNIT:mm	
TOLERANCE	
.X	±0.25
.XX	±0.1
.XXX	±0.05
ANGLES	±1°

TITLE NMEA2000 MICRO-C EXTENSION-CORD			
SCALE	Free	SHEET	1 OF 1
REV.	F	SIZE	A4
② :Inspection Item			

Amphenol LTW
 安費諾亮泰企業股份有限公司

ITEM NO	DRAWN BY	DATE
DWG NO	CHECKED BY	DATE
CUSTOMER	APPROVED BY	DATE
S-555500-FFFF00-SBXX	Tracy Hsu	2017/12/21
ALTW	Jason Yu	2017/12/21
	Kevin Hu	2017/12/21

THIS DOCUMENT IS SUBJECT TO CHANGE WITHOUT NOTICE. IT IS CONFIDENTIAL AND A PROPERTY OF Amphenol LTW. DISCLOSE TO THIRD PARTY HAS TO BE AUTHORIZED BY Amphenol LTW.