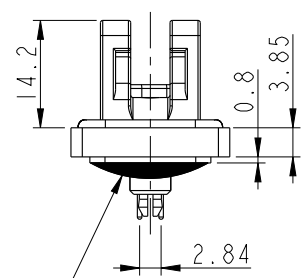
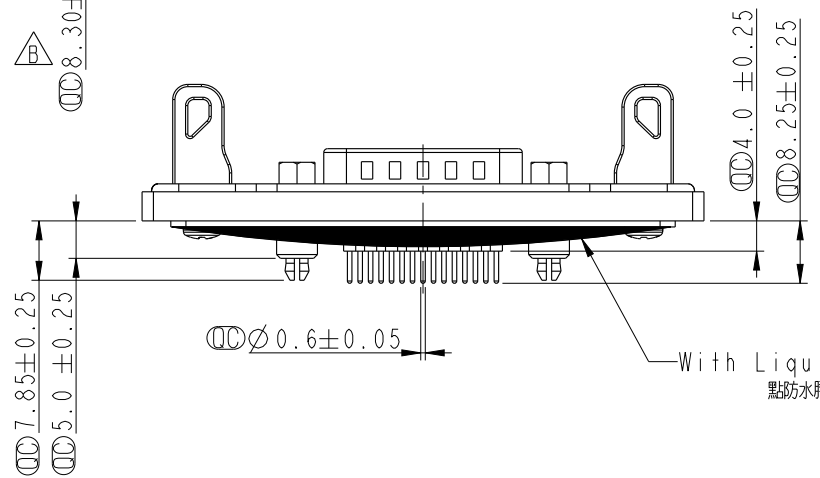
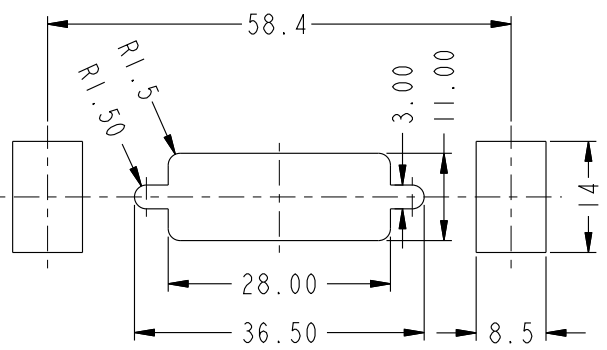
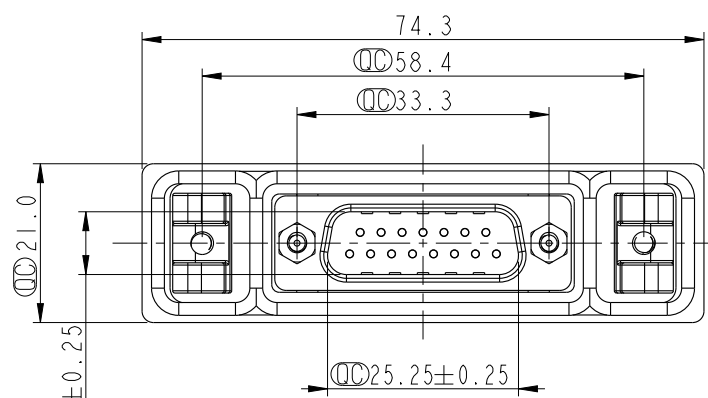
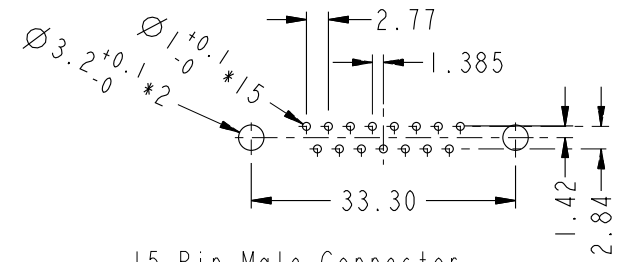
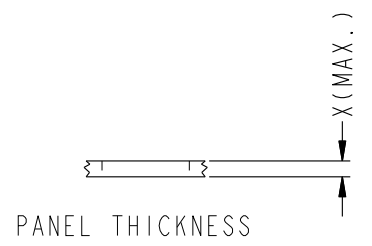
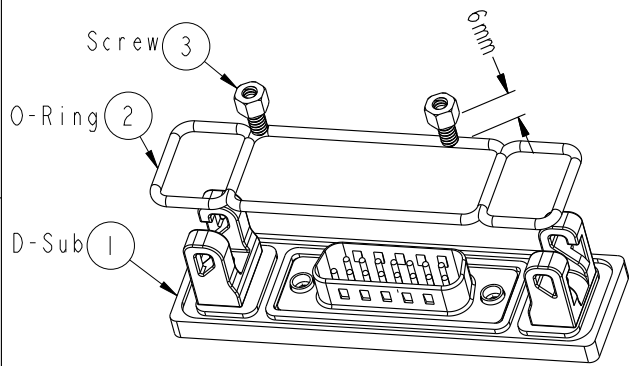
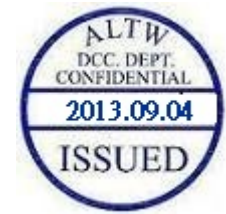


THIS DOCUMENT IS SUBJECT TO CHANGE WITHOUT NOTICE. IT IS CONFIDENTIAL AND A PROPERTY OF Amphenol LTW. DISCLOSURE TO THIRD PARTY HAS TO BE AUTHORIZED BY Amphenol LTW.

REV.	ECN NO.	DATE	SIGN	DESCRIPTION
B	LEN1390068	2013/07/08	Tony_leng	Change 8.36 To 8.30



With Liquid Glue
點防水膠



NOTE:

- * \varnothing Important Dimension.
- * Materials:
 - Panel : Zinc
 - Panel Link : Zinc
 - Screw : Stainless, #4-40 UNC
 - O-Ring : Silicone Black
 - Insulator : PBT
 - Shell : Cold Rolled Steel
 - Contact : Copper Alloy
 - Board Lock : Copper Alloy
- * Finishes:
 - Panel : Nickel Plated
 - Panel Link : Nickel Plated
 - Board Lock : Nickel Plated
 - Shell : Nickel Plated
 - Contact : Gold Flash
- * Waterproof Rate : IP68
IP68: 1M of depth of water 24 hours



UNIT : mm			TITLE D-SUB CONN PANEL QUICK DB15P M CONN M PIN		
TOLERANCE	.X ±0.25	.XX ±0.1	SCALE 1:1	SIZE A4	SHEET 1 OF 1
ANGLES	.XXX ±0.05	±1°	REV. B	WC-REV. A.5	\varnothing : Inspection item

Amphenol LTW
安費諾亮泰企業股份有限公司

ITEM NO	SDB-15PMMP-QA8001	DRAWN BY	Tony_leng	DATE	2013-07-08
DWG NO	SDB-15PMMP-QA8001	CHECKED BY	Yulong	DATE	2013-07-08
CUSTOMER	ALTW	APPROVED BY	Victor	DATE	2013-07-08