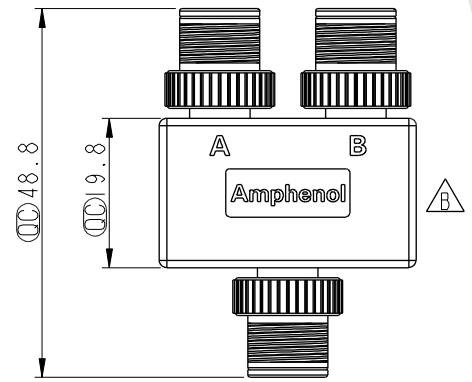
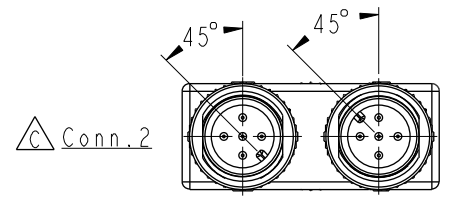
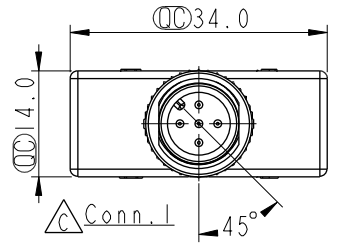


THIS DOCUMENT IS SUBJECT TO CHANGE WITHOUT NOTICE. IT IS CONFIDENTIAL AND A PROPERTY OF Amphenol LTW. DISCLOSURE TO THIRD PARTY HAS TO BE AUTHORIZED BY Amphenol LTW.

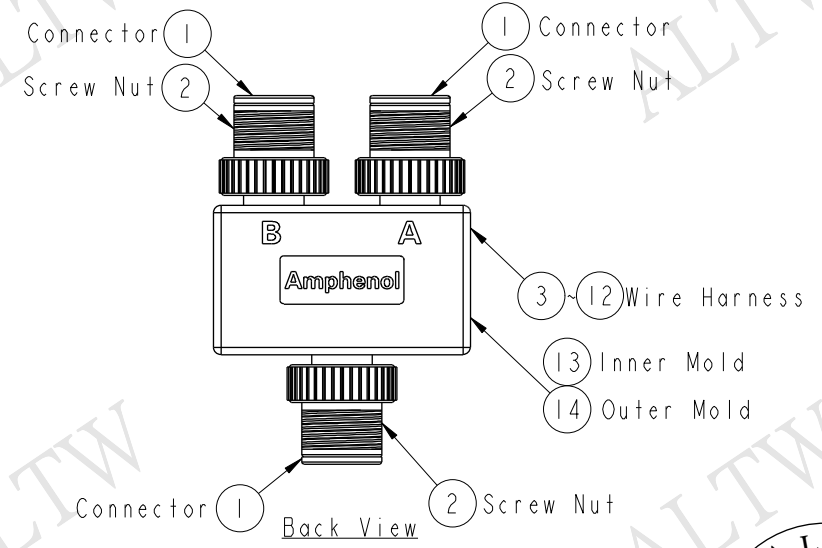
REV.	ECN NO.	DATE	SIGN	DESCRIPTION
B	LEN1350125	2013/05/08	Lu Di	Change LOGO.
C	LEN1520004	2015/01/27	Sam	Update View.



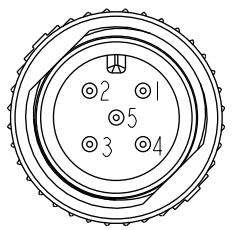
Front View



Bottom View



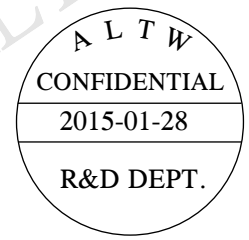
Back View



Pin Assignments Front View

5	Green	綠	5	5
4	Black	黑	4	4
3	Blue	藍	3	3
2	White	白	2	2
1	Brown	棕	1	1
Conn. 1	Wire Color	Conn. 2	Conn. 3	

Pin Out



- Notes:
- * \varnothing Important Dimension.
 - * Waterproof Rate: IP68.
 - IP68: 1M Depth Of Water In 24hours.
 - * Housing: Polyurethane, Black.
 - * Male Pin: Copper Alloy, Gold Plated.
 - * Nut: Zinc, Nickel Plated.
 - * Wire Harness: UL1007 22 AWG.

UNIT: mm	
TOLERANCE	± 0.5 mm

TITLE Y Adaptor M12 5 Pin			
SCALE 1:1	SIZE A4	SHEET 1 OF 1	
REV. C	WC-REV. A.1	\varnothing : Inspection item	

Amphenol LTW
安費諾亮泰企業股份有限公司

ITEM NO. SS-050505-MMM-YS001	DRAWN BY Sam	DATE 2015-01-28
DWG NO. SS-050505-MMM-YS001	CHECKED BY Vicky	DATE 2015-01-28
CUSTOMER ALTW	APPROVED BY Rita	DATE 2015-01-28