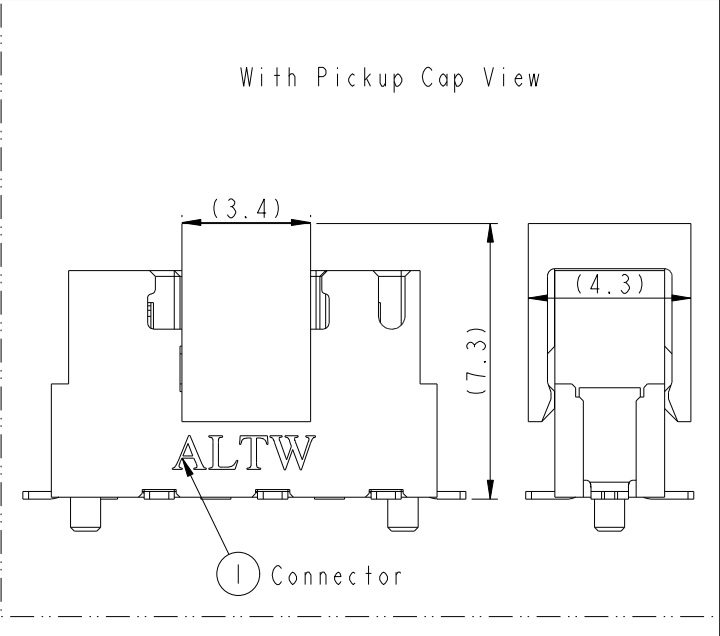
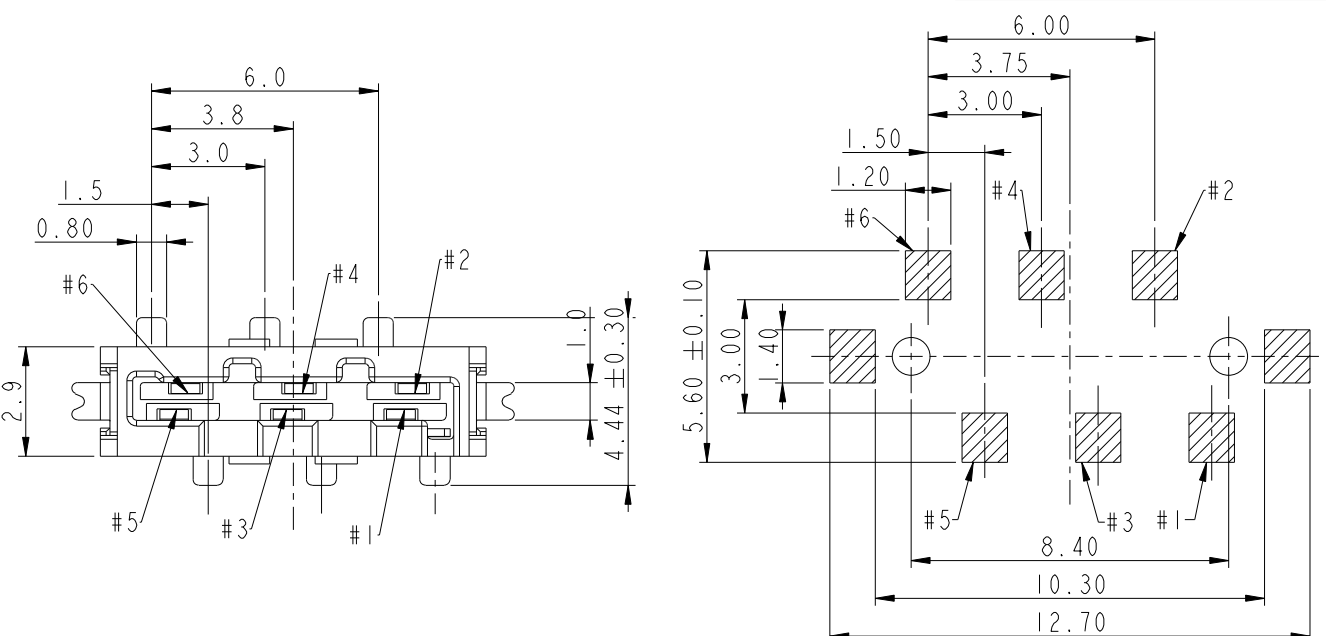
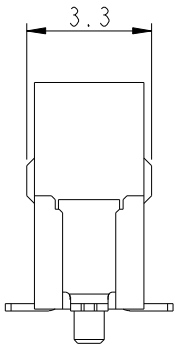
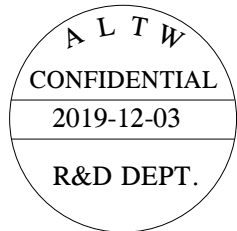
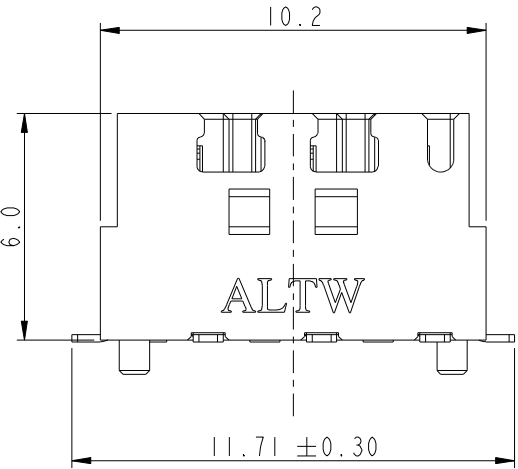


REV.	ECN NO.	DATE	SIGN	DESCRIPTION
B	CI91496	2019-08-27	NianPing Yu	Add UL Label
C	CI92063	2019-12-03	NianPing Yu	△XI



RECOMMENDED P.C.B. LAYOUT
GENERAL TOLERANCE IS ±0.05



Ⓞ 0.12
All Solder tails

- Notes:
- * Ⓞ Important Dimension To Check.
 - * Housing: High temperature thermoplastic. UL94V-0, color is Natural white.
 - * Pickup Cap: High temperature thermoplastic. UL94V-0, color is Black.
 - * Terminal: Copper Alloy, Gold Plated on contact area, Tin plated on solder tails.
 - * Solder Peg: Copper Alloy, Tin plated over Nickel.

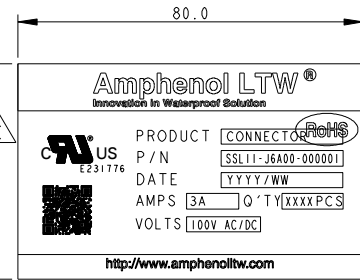
UNIT: mm			TITLE SSL-1.1 DC 6P JACK CONN, WITH POST, S/T, SMT TYPE
TOLERANCE .X ±0.25 .XX ±0.1 .XXX ±0.05 ANGLES ±1°	SCALE 5:1	SIZE A4	SHEET 1 OF 2
REV. C	WC-REV. A.3	Ⓞ: Inspection item	

Amphenol LTW
安費諾亮泰企業股份有限公司

ITEM NO. SSL11-J6A00-000001	DRAWN BY NianPing Yu	DATE 2019-08-27
DWG NO. SSL11-J6A00-000001	CHECKED BY Fisher Wang	DATE 2019-08-27
CUSTOMER ALTW	APPROVED BY Max Yang	DATE 2019-08-27

THIS DOCUMENT IS SUBJECT TO CHANGE WITHOUT NOTICE. IT IS CONFIDENTIAL AND A PROPERTY OF Amphenol LTW. DISCLOSURE TO THIRD PARTY HAS TO BE AUTHORIZED BY Amphenol LTW.

THIS DOCUMENT IS SUBJECT TO CHANGE WITHOUT NOTICE. IT IS CONFIDENTIAL AND A PROPERTY OF Amphenol LTW. DISCLOSURE TO THIRD PARTY HAS TO BE AUTHORIZED BY Amphenol LTW.

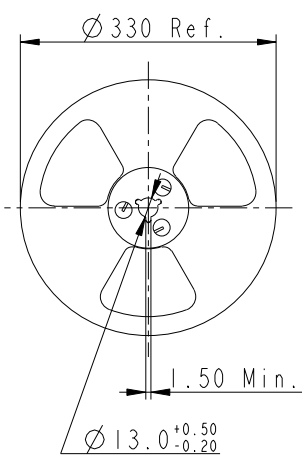
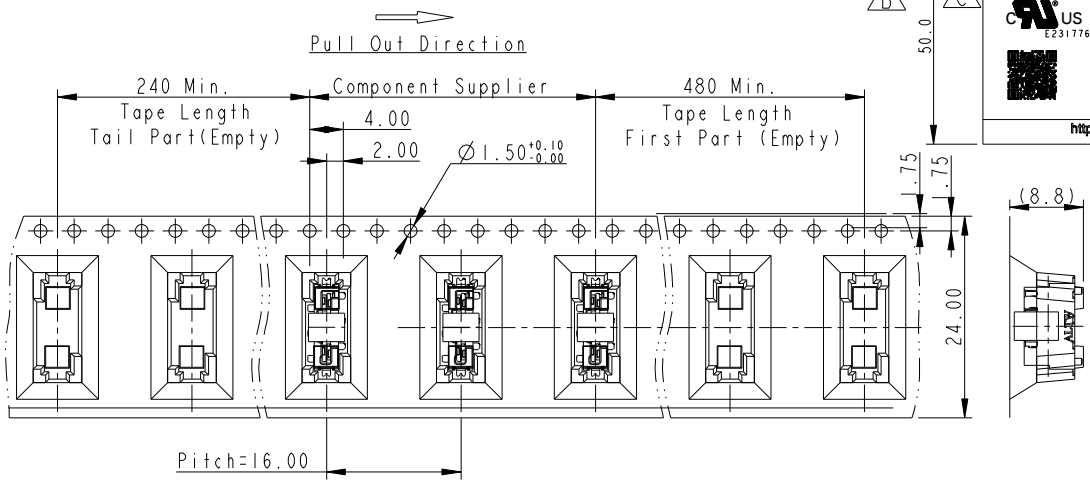


MATERIALS

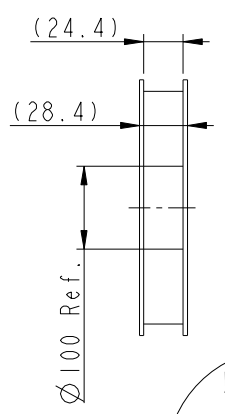
1. Carrier Tape: Polystyren (PS)
2. Cover Tape: Polystyren (PS)
3. Reel: Polystyren (PS)

QUANTITY

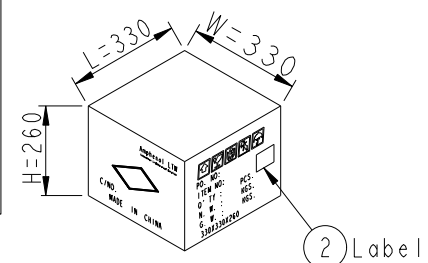
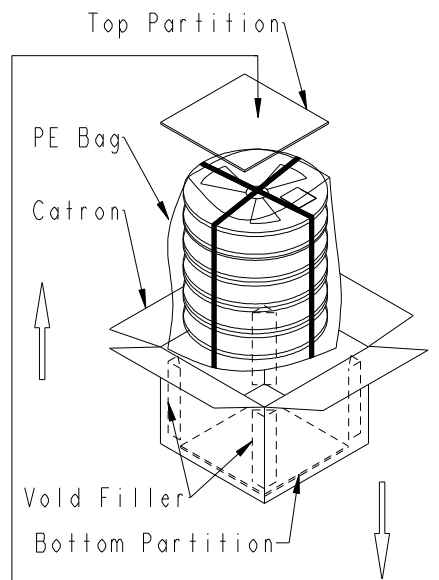
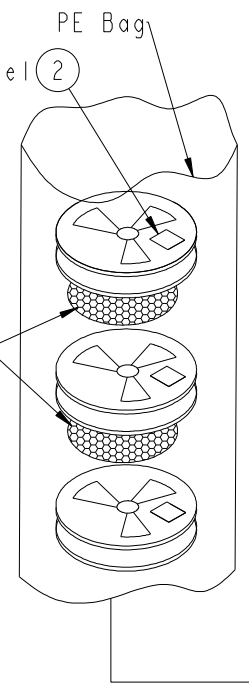
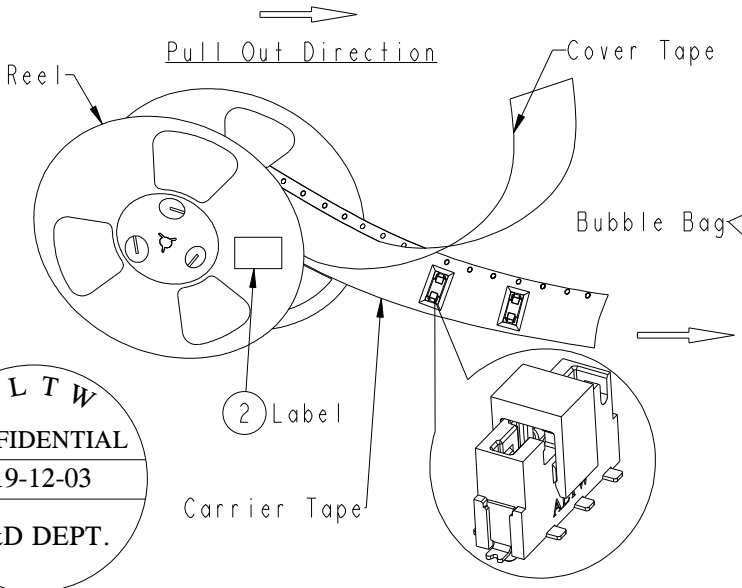
1. 400Pcs Per Reel
2. 8 Reel Per Carton (3200Pcs/Carton)
3. Reference Standard: EIA-481-D
4. Net Weight: 0.9Kg/Carton.
5. Gross Weight: 4.3Kg/Carton.



Reel For Carrier Tape



ALTW
 CONFIDENTIAL
 2019-12-03
 R&D DEPT.



UNIT:mm		
TOLERANCE		
.X	±0.25	
.XX	±0.1	
.XXX	±0.05	
ANGLES	±1°	

TITLE SSL-1.1 DC 6P JACK CONN, WITH POST,S/T,SMT TYPE			
SCALE 1:1	SIZE A4	SHEET 2 OF 2	
REV. C	WC-REV. A.5	QC: Inspection item	

Amphenol LTW
 安費諾亮泰企業股份有限公司

ITEM NO SSL11-J6A00-000001	DRAWN BY NianPing Yu	DATE 2019-08-27
DWG NO SSL11-J6A00-000001	CHECKED BY Fisher Wang	DATE 2019-08-27
CUSTOMER ALTW	APPROVED BY Max Yang	DATE 2019-08-27

DATE 2019-08-27	DATE 2019-08-27	DATE 2019-08-27
--------------------	--------------------	--------------------