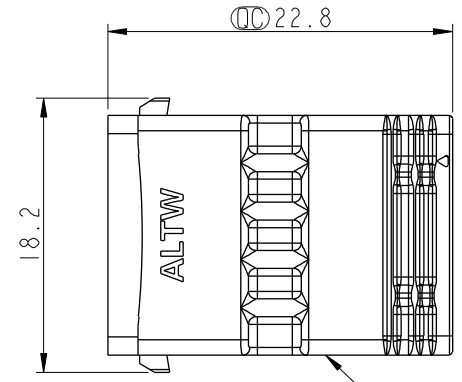
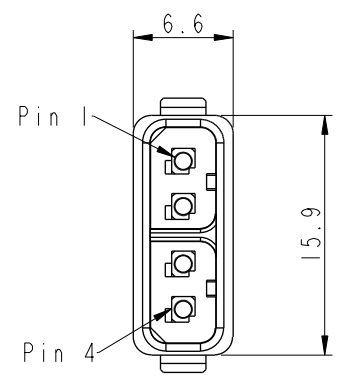
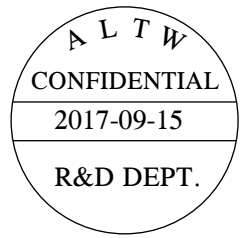
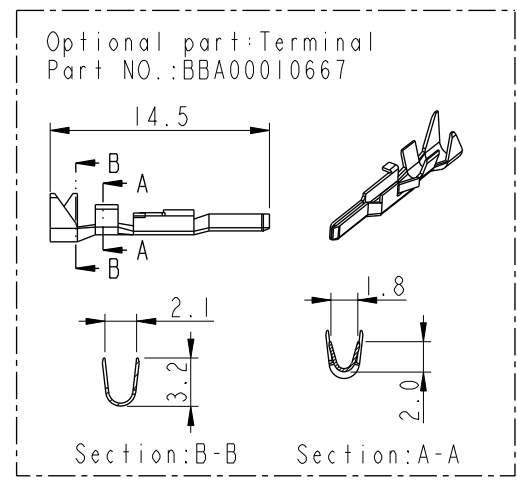
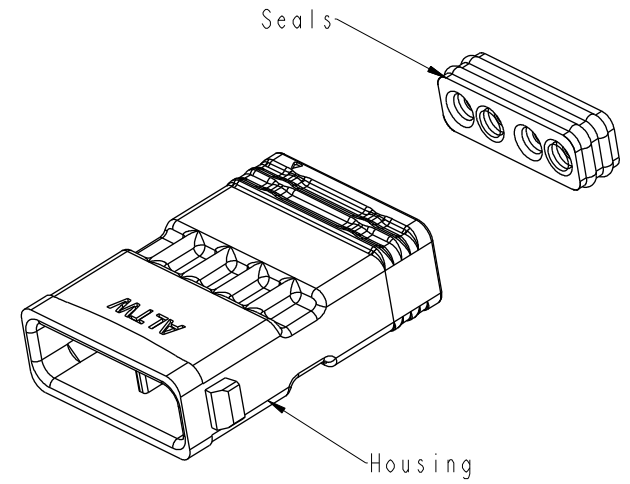


THIS DOCUMENT IS SUBJECT TO CHANGE WITHOUT NOTICE. IT IS CONFIDENTIAL AND A PROPERTY OF AMPHENOL LTW. DISCLOSURE TO THIRD PARTY HAS TO BE AUTHORIZED BY AMPHENOL LTW.

REV.	ECN NO.	DATE	SIGN	DESCRIPTION
A	Initial Release	2015-04-15	Fisher	Initial Release
B	LEN1620284	2016-03-02	Fisher	Update Label
C	LEN1790257	2017-09-15	Ruru	RoHS Label and blue and white label merger



① Half-Finished



- Notes:
- \*  $\varnothing$  Important Dimension To Check.
  - \* Waterproof Rate: IP68(mating).  
IM Depth Of Water In 24 Hours.
  - \* Housing: Thermoplastic, UL94V-0, Natural White.
  - \* Seals: Silicone, Gray.
  - \* Current Rating: 5A maximum.
  - \* Applicable Wire Range: UL1430, 20~22AWG
  - \* Voltage Rating: 250V AC/DC maximum.
  - \* Operating Temperature: -40~+105℃
  - \* Applicable terminal : BBA00010667

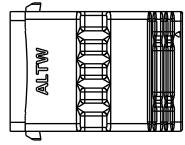
UNIT:mm			TITLE
TOLERANCE ±0.5mm			SSLI.2 4P F Conn. Field Installable
SCALE 2:1	SIZE A4	SHEET 1 OF 2	
REV. C	WC-REV. A.4	$\varnothing$ : Inspection item	

**Amphenol LTW**  
安費諾亮泰企業股份有限公司

ITEM NO	SSLI2-J4FJ0-000001	DRAWN BY	Ruru	DATE	2017-09-15
DWG NO	SSLI2-J4FJ0-000001	CHECKED BY	Rita	DATE	2017-09-15
CUSTOMER	ALTW	APPROVED BY	Max	DATE	2017-09-15

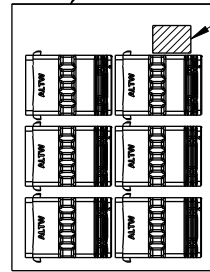
THIS DOCUMENT IS SUBJECT TO CHANGE WITHOUT NOTICE. IT IS CONFIDENTIAL AND A PROPERTY OF Amphenol LTW. DISCLOSURE TO THIRD PARTY HAS TO BE AUTHORIZED BY Amphenol LTW.

Packing



Housing

x 250PCS



PE Bag

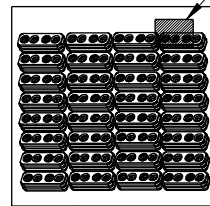
② Label

x 5PCS



Seals

x 250PCS

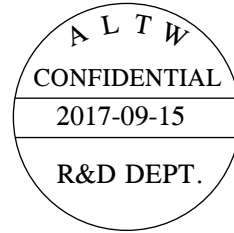


② Label

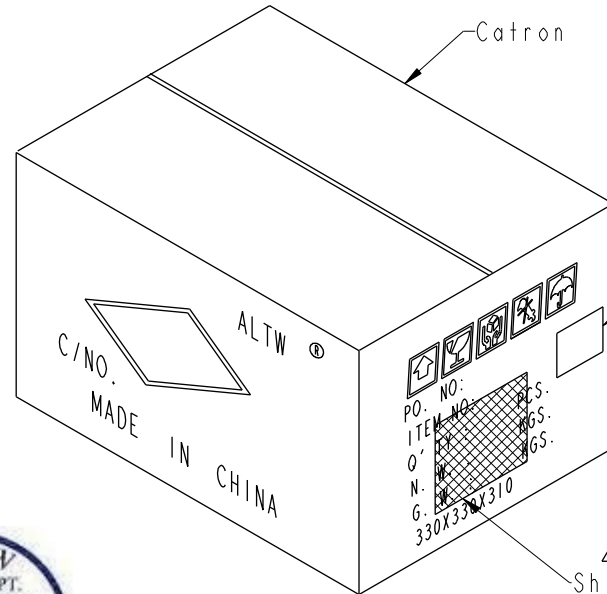
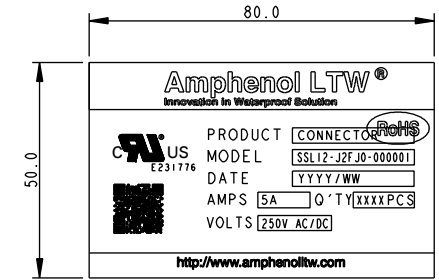
x 5PCS



PE Bag



Print content of Label



Carton

③ Label

Shipping Mark

- QUANTITY
1. 1250Set Per Carton
  2. Net Weight: 2.0Kg/Carton.
  3. Gross Weight: 2.6Kg/Carton.
  - ④ 4. Each box put a assembly instruction

UNIT:mm		TITLE SSL1.2 4P F Conn. Field Installable	
TOLERANCE ±0.5mm	SCALE 2:1	SIZE A4	SHEET 2 OF 2
	REV. C	WC-REV. A.4	Inspection item

**Amphenol LTW**  
安費諾亮泰企業股份有限公司

ITEM NO SSL12-J4FJ0-000001	DRAWN BY Ruru	DATE 2017-09-15
DWG NO SSL12-J4FJ0-000001	CHECKED BY Rita	DATE 2017-09-15
CUSTOMER ALTW	APPROVED BY Max	DATE 2017-09-15