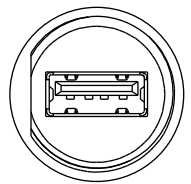
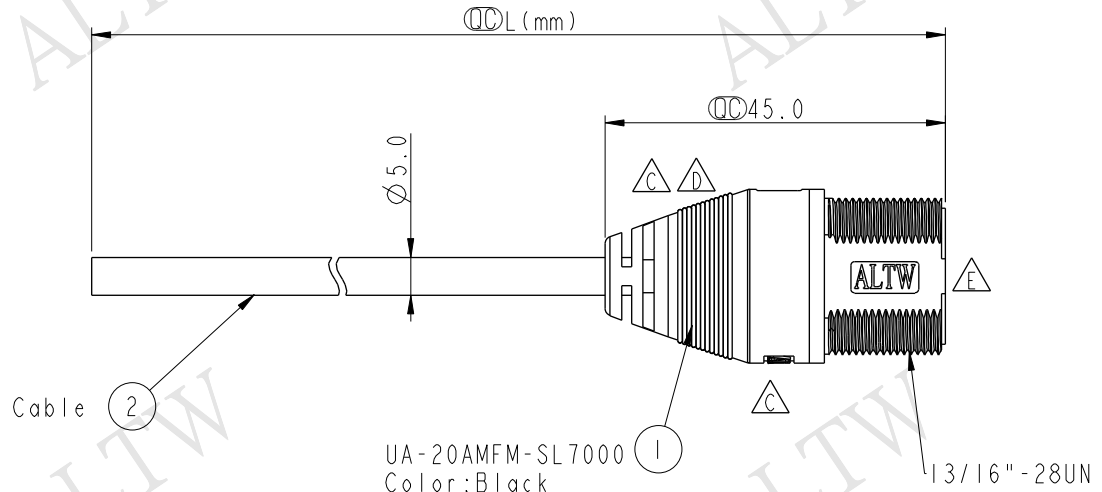
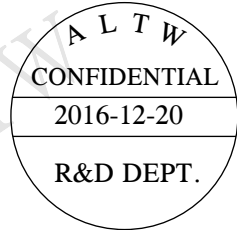


REV.	ECN NO.	DATE	SIGN	DESCRIPTION
D	LEN-950152~4	2009/03/26	Li Xiu Zhi	Change SR View
E	LEN1590225~28	2015/08/31	Doreen	New Logo updated to "ALTW".
F	LEN16C0059~62	2016/12/20	Neo	Changed Title



Conn.



UA-20AMFM-SL7000  
Color:Black

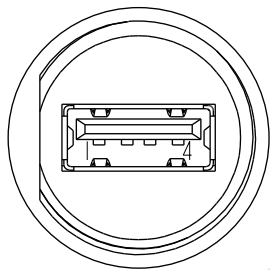
UA-20AMFM-SL7AXX

XX : 01~05Meters  
01 : 01Meter  
02 : 02Meters  
:  
:  
05 : 05Meters

Cable Length(L): 01~05Meters

Note:

- \* Important Dimension.
- \* Waterproof Rate: IP67
- \* Housing: Black, ABS 94V-0
- \* Jack: USB A TYPE
- \* Cable: Black, USB2.0 28#\*1P+24#\*2C +A1/My+D+B, PVC, UV Resist OD=5.0
- \* Cable Length Tolerance: 01M:40mm  
02M~05M:±60mm



Pin Assignments Front View

Drain	地線	Shield
Black	黑	4
Green	綠	3
White	白	2
Red	紅	1
Wire Color		Conn
Pin Out		

Twist



UNIT:mm TOLERANCE ±0.5	TITLE USB 2.0 Molding With cable A Type		Amphenol LTW 安費諾亮泰企業股份有限公司		ITEM NO	DRAWN BY Neo	DATE 2016/12/20		
	SCALE 1:1	SIZE A4			SHEET 1	OF 1	DWG NO UA-20AMFM-SL7AXX	CHECKED BY Kris	DATE 2016/12/20
	REV. F	WC-REV. A.1			QC: Inspection item		CUSTOMER ALTW	APPROVED BY Max	DATE 2016/12/20

THIS DOCUMENT IS SUBJECT TO CHANGE WITHOUT NOTICE. IT IS CONFIDENTIAL AND A PROPERTY OF Amphenol LTW. DISCLOSURE TO THIRD PARTY HAS TO BE AUTHORIZED BY Amphenol LTW.