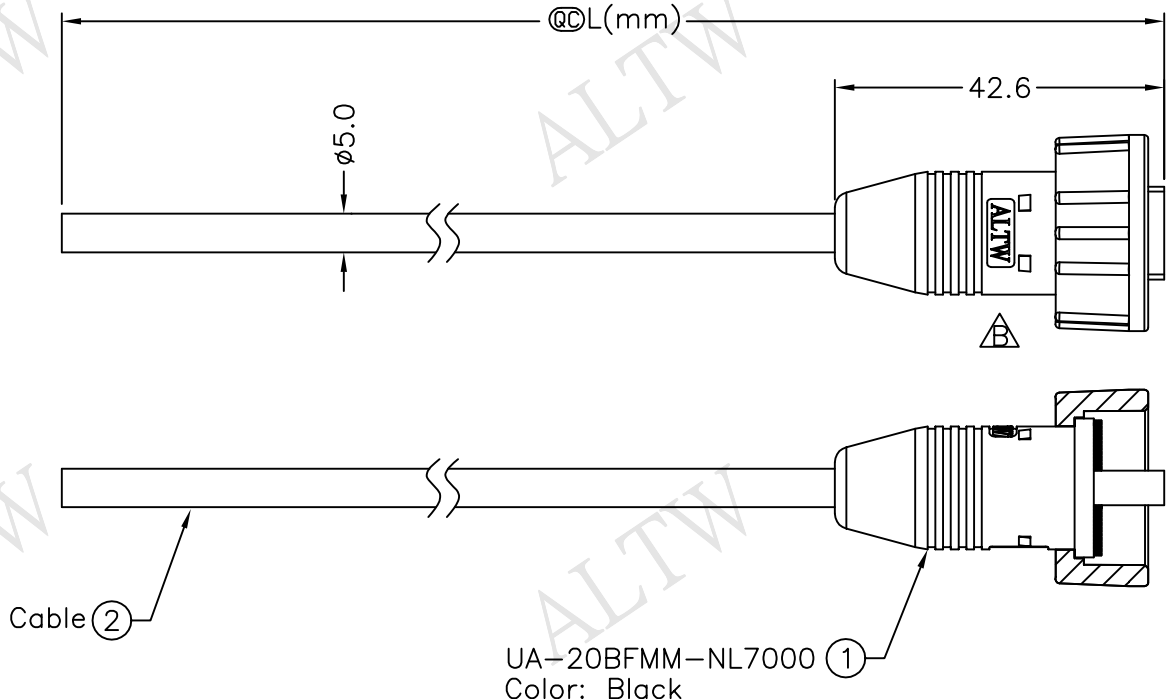


REV.	ECN NO.	DATE	SIGN	DESCRIPTION
B	LEN15B0186~190	2015/10/30	Ruru	Change Logo & Note

ALTW
CONFIDENTIAL
2015.10.30
R&D DEPT.

ALTW
DCC. DEPT.
CONFIDENTIAL
2015.11.18
ISSUED



Cable ②

UA-20BFMM-NL7000 ①
Color: Black

UA-20BFMM-NL7AXX
 XX :01~05Meters
 01 :01Meter
 02 :02Meters
 :
 :
 05 :05Meters
 Cable Length(L):01~05Meters

- Note:
- * ④ Important Dimension
 - * Waterproof Rate: IP67
 - * Connector: USB2.0-A Male Solder, Black
 - * Cable: USB 2.0, 28#*1P+24#*2C+Al/My+D+B, PVC Jacket UV Resistant, OD=5.0, Black
 - * Cable Length Tolerance: 01M: ±40mm
 02M~05M: ±60mm
 06M~10M: ±100mm
 11M~30M: ±200mm
 31M~99M: ±500mm

Drain	28AWG	地線	Shield
Black	24AWG	黑	4
Green	28AWG	綠	3
White	28AWG	白	2
Red	24AWG	紅	1
Wire Color			Conn.
Pin Out			

Twist

UNIT:mm		TITLE USB, Cable Screw 20A F Conn M Pin
TOLERANCE .X ±0.25 .XX ±0.1 .XXX ±0.05 ANGLES ±1°	SCALE Free	SHEET 1 OF 1
REV. B	SIZE A4	④ :Inspection Item

Amphenol LTW
安費諾亮泰企業股份有限公司

ITEM NO	DRAWN BY Ruru	DATE 2015/10/30
DWG NO UA-20BFMM-NL7AXX	CHECKED BY Rita	DATE 2015/10/30
CUSTOMER ALTW	APPROVED BY Lisa	DATE 2015/10/30

THIS DOCUMENT IS SUBJECT TO CHANGE WITHOUT NOTICE. IT IS CONFIDENTIAL AND A PROPERTY OF Amphenol LTW. DISCLOSURE TO THIRD PARTY HAS TO BE AUTHORIZED BY Amphenol LTW.

1
F
E
D
C
B
A

2
3

4
5

6

7

8
FMW10702-01-01A2