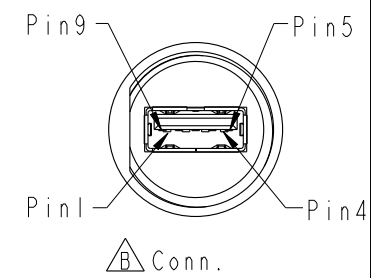
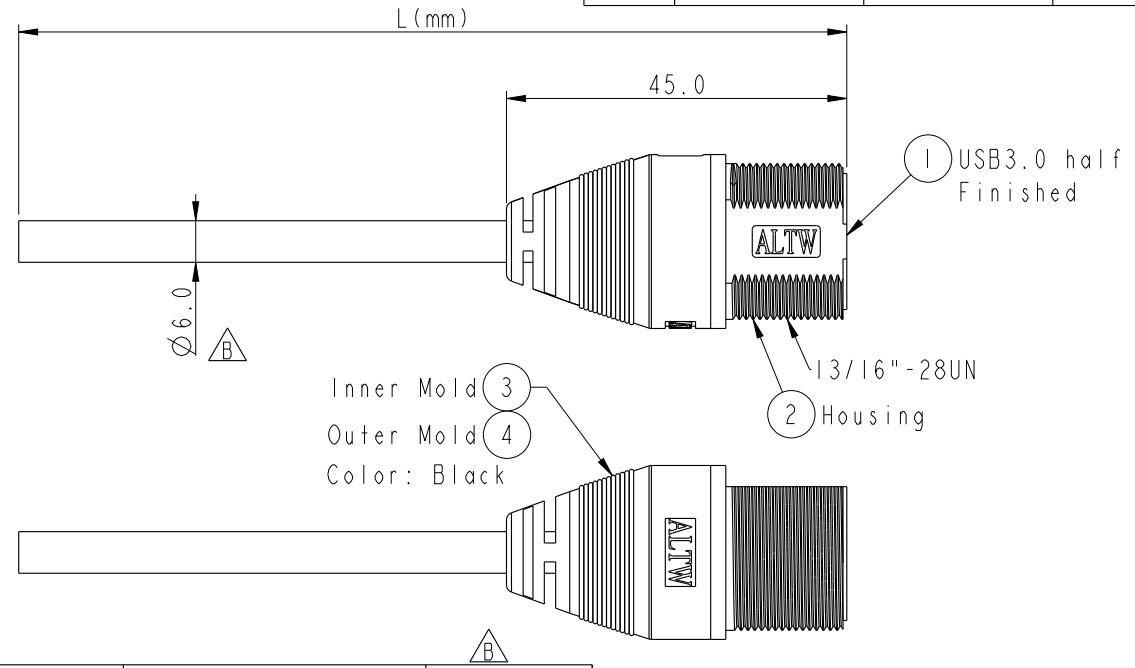
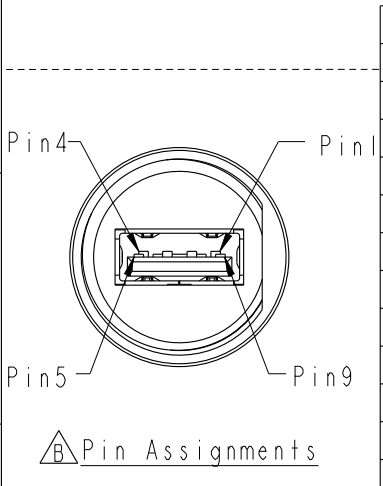


THIS DOCUMENT IS SUBJECT TO CHANGE WITHOUT NOTICE. IT IS CONFIDENTIAL AND A PROPERTY OF AMPHENOL LTW. DISCLOSURE TO THIRD PARTY HAS TO BE AUTHORIZED BY AMPHENOL LTW.

REV.	ECN NO.	DATE	SIGN	DESCRIPTION
A	Initial Release	2013/09/07	Tom_gu	Change Rev. I To Rev.A
B	LEN1760396-398	2017-07-07	Ouyang	Update Pin Out & Update cable
C	C200083	2020/01/13	JC Chen	△C XI



UA-30AMFM-SL7BXX
 XX : 01~03Meters
 01 : 01Meter
 03 : 03Meters
 Cable Length(L): 01~03Meters



Shield	Braid	編織	Shield	
9	Orange	28AWG 橙	SDP2+	Twist
8	Purple	28AWG 紫	SDP2-	
7	Drain	28AWG	SDP2_Drain	Twist
6	Yellow	28AWG 黃	SDP1+	
5	Blue	28AWG 藍	SDP1-	Twist
7	Drain	28AWG	SDP1_Drain	
4	Black	28AWG 黑	GND_PWRrt	Twist
3	Green	28AWG 綠	UTP_D+	
2	White	28AWG 白	UTP_D-	Twist
1	Red	28AWG 紅	PWR	
Conn.	Wire Color		Signal Name	

Note:
 * Ⓞ Important Dimension.
 * Waterproof Rate: IP67
 * Jack: USB3.0-A Female Solder
 △C * Housing: Thermoplastic, Black
 △B * Cable: UL2725 (1P x 28# + DAM) * 2 + 1P * 28# + 2C * 28# + ABD, PVC Jacket, UV Resistant, OD=6.0mm, Black
 * Cable Length Tolerance: 01M: ±40mm, 02M~03M: ±60mm
 * All of Drain twisted together.

UNIT: mm

TOLERANCE	
.X	±0.25
.XX	±0.1
.XXX	±0.05
ANGLES	±1°

TITLE USB3.0 Female Jack to Cable End			
SCALE 1:2	SIZE A4	SHEET 1 OF 1	
REV. C	WC-REV. A.6	Ⓞ: Inspection item	

Amphenol LTW
 安費諾亮泰企業股份有限公司

ITEM NO.	DRAWN BY Ouyang	DATE 2017-07-07
DWG NO. UA-30AMFM-SL7BXX	CHECKED BY Feng-li	DATE 2017-07-07
CUSTOMER ALTW	APPROVED BY Jerry	DATE 2017-07-07