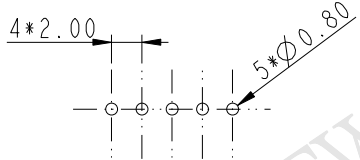
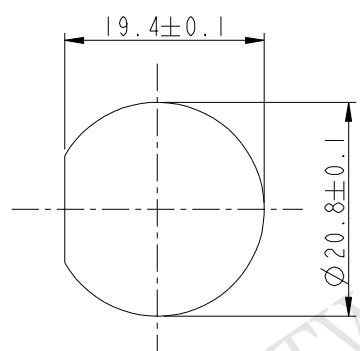


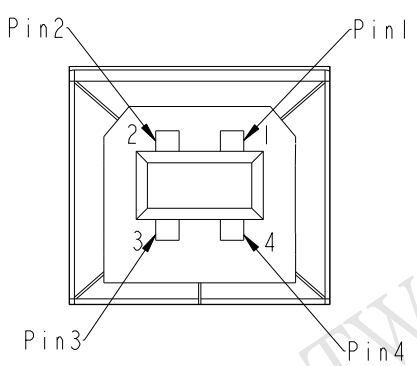
REV.	ECN NO.	DATE	SIGN	DESCRIPTION
D	LEN-7B0142	2007/11/15	Gao Ling	Modify Panel Thickness
E	LEN1480161	2014/08/05	Jason Ou	Update NUT LOGO TO ALTW
F	LEN14B0002	2014/10/21	Jinhai	Change Housing Pin Out



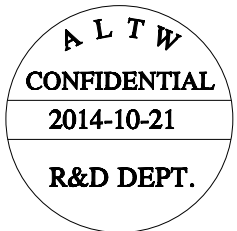
PCB Layout: 2/1



Recommended Panel Cut-Out



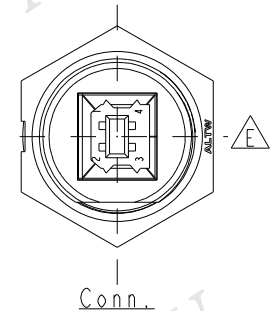
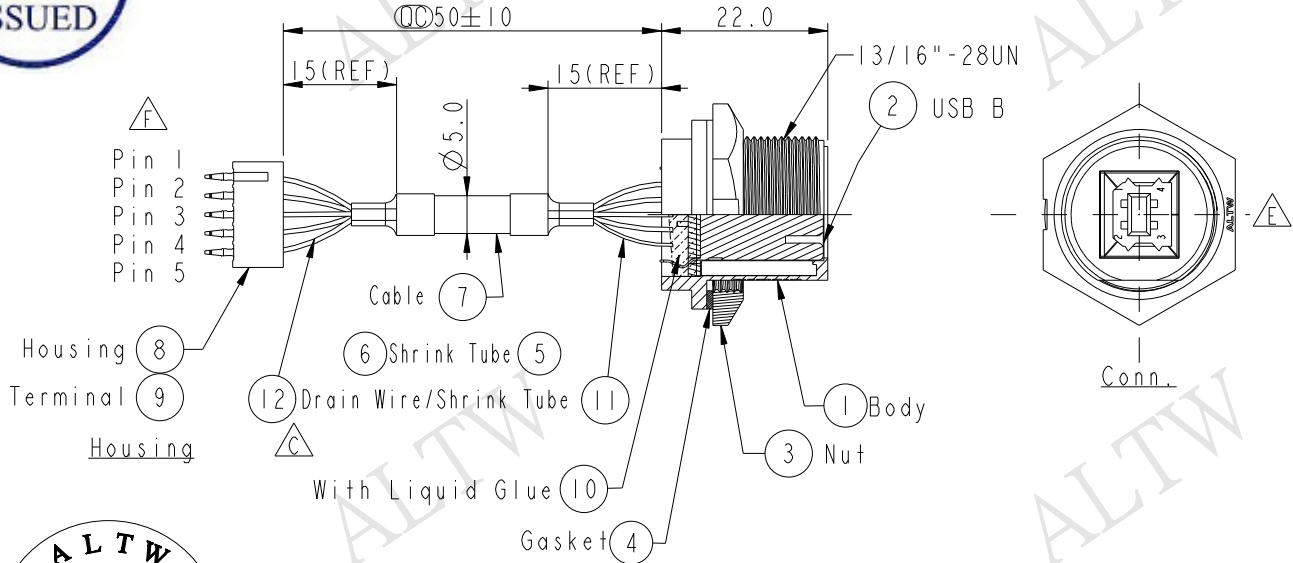
Pin Assignments Front View



5	Drain	Shield
4	Black 24AWG	4
3	Green 28AWG	3
2	White 28AWG	2
1	Red 24AWG	1
Housing	Wire Color	Conn.

Twist

Pin Out



- Note: $\triangle C$
- * Ø Important Dimension.
 - * Waterproof Rate: IP68
 - * Body: ABS 94V-0, Black
 - * USB B: Female Solder Type, Gold Plated
 - * Gasket: EPDM, Black
 - * Panel Nut: Nylon+GF, Black
 - * Housing: 5Pin, PH=2.50mm
 - * Terminal: Phosphor bronze, Tin-plated
 - * Cable: USB2.0 28AWG*1P+24AWG*2C+AL/My+D+B, Black PVC Jacket Resist UV, OD=5.0
 - * $\triangle D$ Use with waterproof cap or dust cap For Panel Thickness Max: 2.8mm
 - * $\triangle D$ Use without waterproof cap or dust cap For Panel Thickness Max: 4.0mm

UNIT:mm

TOLERANCE	
.X	±0.25
.XX	±0.1
.XXX	±0.05
ANGLES	±1°

TITLE USB, Panel Screw 20B M Conn. F Pin			
SCALE 1:1	SIZE A4	SHEET 1 OF 1	
REV. F	WC-REV. A.5	QC: Inspection item	

Amphenol LTW
安費諾亮泰企業股份有限公司

ITEM NO. UB-20PMFP-SC8002	DRAWN BY Jinhai	DATE 2014-10-21
DWG NO. UB-20PMFP-SC8002	CHECKED BY Tom	DATE 2014-10-21
CUSTOMER ALTW	APPROVED BY Jerry	DATE 2014-10-21

THIS DOCUMENT IS SUBJECT TO CHANGE WITHOUT NOTICE. IT IS CONFIDENTIAL AND A PROPERTY OF Amphenol LTW. DISCLOSURE TO THIRD PARTY HAS TO BE AUTHORIZED BY Amphenol LTW.