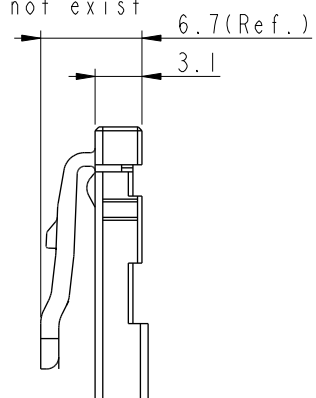
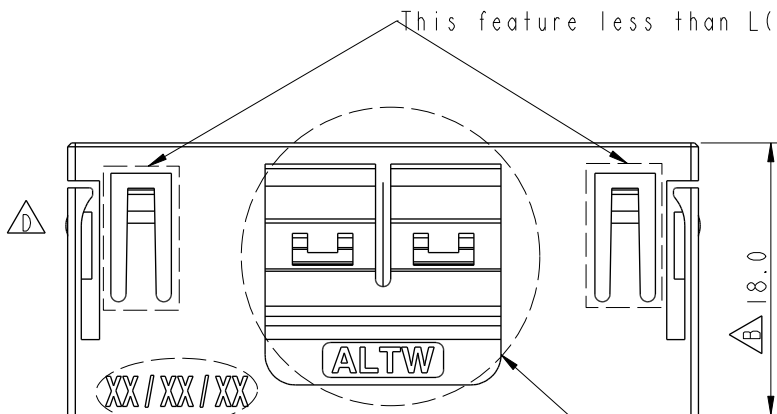
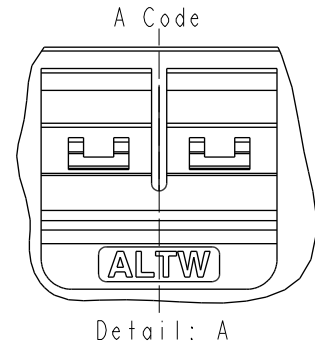
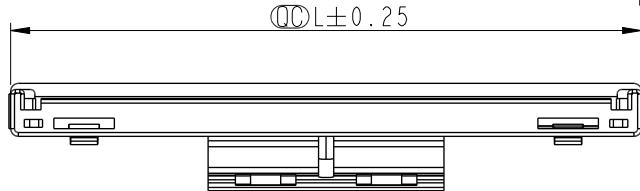


THIS DOCUMENT IS SUBJECT TO CHANGE WITHOUT NOTICE. IT IS CONFIDENTIAL AND A PROPERTY OF AMPHENOL LTW. DISCLOSURE TO THIRD PARTY HAS TO BE AUTHORIZED BY AMPHENOL LTW.

REV.	ECN NO.	DATE	SIGN	DESCRIPTION
C	C210444	2021/03/24	Xiaofeng	△C XI
D	C220320	2022/03/02	Xiaofeng	△D X62
E	C221934	2022/12/08	Ruru	△E XI

(L Dimensions refer to table)



Laser Etching  
Corresponding Pin Number

△B  
ZA-XX NMAN-BN0001

- XX: Number Of Contacts (Pitch)  
 AA: 40(P0.9)/20(P1.8)  
 AB: 38(P0.9)/19(P1.8)  
 AC: 36(P0.9)/18(P1.8)/12(P2.7)  
 AD: 34(P0.9)/17(P1.8)  
 AE: 32(P0.9)/16(P1.8)  
 AF: 30(P0.9)/15(P1.8)/10(P2.7)  
 AG: 28(P0.9)/14(P1.8)  
 AH: 26(P0.9)/13(P1.8)  
 AI: 24(P0.9)/12(P1.8)/8(P2.7)  
 AJ: 22(P0.9)/11(P1.8)

Note:

- \* Ⓞ Important Dimensions To Check.
- \* Material: Thermoplastic, Black.
- \* FFC
- Recommended Pitch: 1.0mm, 1.5mm, 2.0mm.
- \* WTB
- Recommended Applicable Wire gauge  
22AWG ~ 26AWG
- \* All Parts Are RoHS Compliant.
- △E \* Hot plugging is not applicable for this part, please consult with manufacturer if special requirement is needed.

UNIT: mm		
TOLERANCE	±0.25	
.X	±0.1	
.XX	±0.05	
.XXX	±1°	
ANGLES		

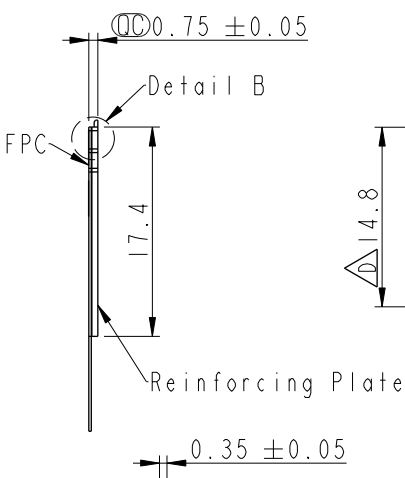
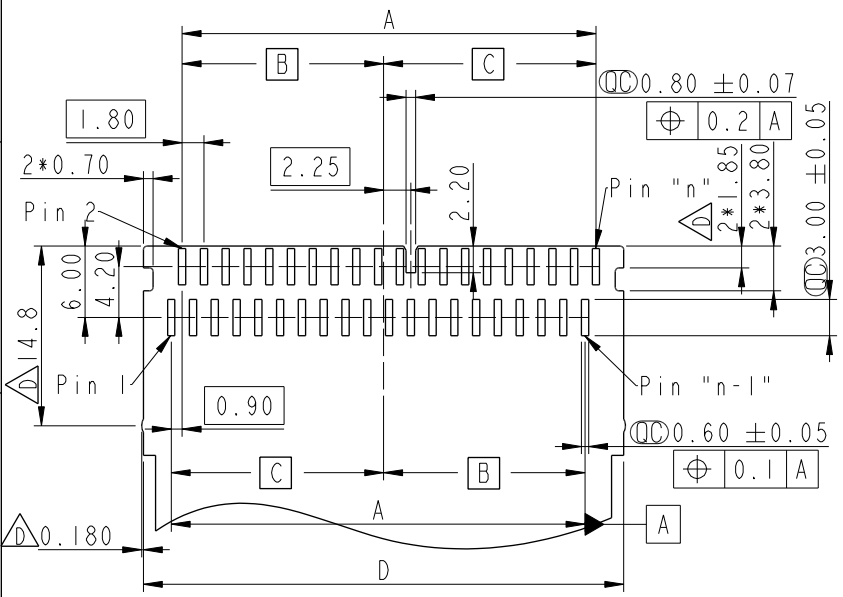
TITLE Z CONN., N SHLD, A, M			
SCALE 1:1	SIZE A4	SHEET 1 OF 11	
REV. E	WC-REV. .0	Ⓞ: Inspection item	

**Amphenol LTW**  
安費諾亮泰企業股份有限公司

ITEM NO.	DRAWN BY Xiaofeng	DATE 2021/01/11
DWG NO. ZA-XXNMAN-BN0001	CHECKED BY Feng-Li	DATE 2021/01/11
CUSTOMER ALTW	APPROVED BY Jerry	DATE 2021/01/11

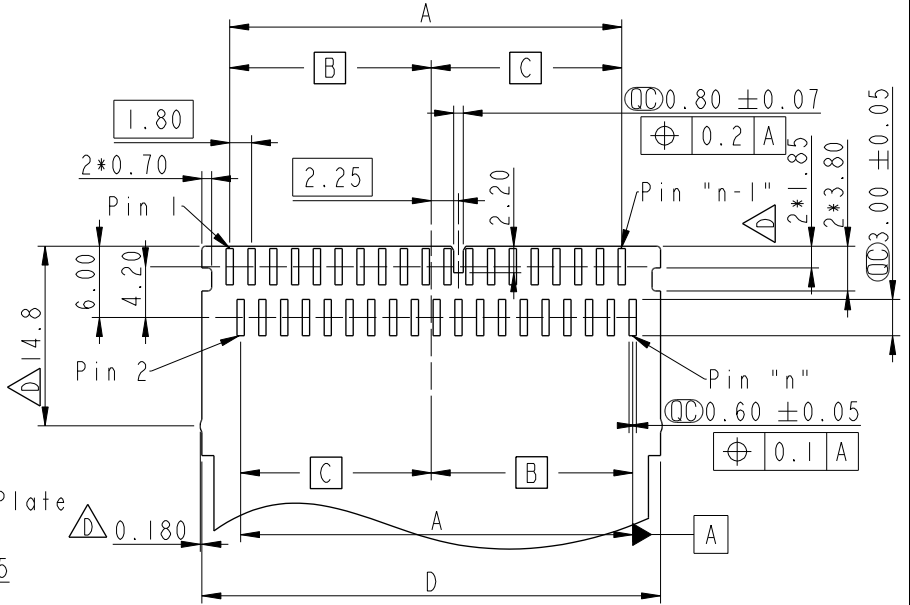
THIS DOCUMENT IS SUBJECT TO CHANGE WITHOUT NOTICE. IT IS CONFIDENTIAL AND A PROPERTY OF Amphenol LTW. DISCLOSURE TO THIRD PARTY HAS TO BE AUTHORIZED BY Amphenol LTW.

Flexible Printed Circuit  
Pitch 0.9mm



Recommend Optional  
Gold finger above flat surface  
Detail: B

RECOMMENDED FPC LAYOUT



RECOMMENDED FPC LAYOUT

PIN	L (mm)	A (mm)	B (mm)	C (mm)	D (mm)
24	27.3	19.8	9.45	10.35	25.3
28	30.9	23.4	11.25	12.15	28.9
32	34.5	27.0	13.05	13.95	32.5
36	38.1	30.6	14.85	15.75	36.1
40	41.7	34.2	16.65	17.55	39.7

PIN	L (mm)	A (mm)	B (mm)	C (mm)	D (mm)
22	25.5	18.0	9.45	8.55	23.5
26	29.1	21.6	11.25	10.35	27.1
30	32.7	25.2	13.05	12.15	30.7
34	36.3	28.8	14.85	13.95	34.3
38	39.9	32.4	16.65	15.75	37.9

UNIT: mm

TOLERANCE  
.X ±0.25  
.XX ±0.1  
.XXX ±0.05  
ANGLES ±1°

TITLE  
Z CONN., N SHLD, A, M

SCALE 1:1  
REV. E

SIZE A4  
WC-REV. .0

SHEET 2 OF 11  
QC: Inspection item

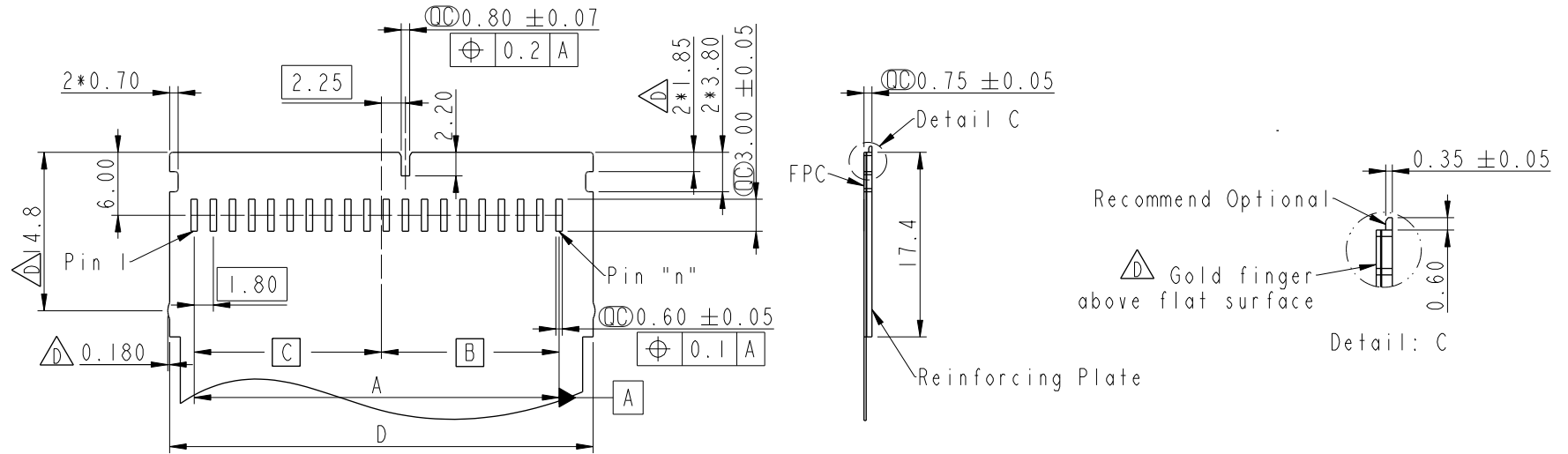
**Amphenol LTW**  
安費諾亮泰企業股份有限公司

ITEM NO  
DRAWN BY Xiaofeng  
DATE 2021/01/11

DWG NO ZA-XXNMAN-BN0001  
CHECKED BY Feng-Li  
DATE 2021/01/11

CUSTOMER ALTW  
APPROVED BY Jerry  
DATE 2021/01/11

Flexible Printed Circuit  
Pitch 1.8mm



RECOMMENDED FPC LAYOUT

$\triangle B$

PIN	L (mm)	A (mm)	B (mm)	C (mm)	D (mm)
11	25.5	18.0	9.45	8.55	23.5
12	27.3	19.8	9.45	10.35	25.3
13	29.1	21.6	11.25	10.35	27.1
14	30.9	23.4	11.25	12.15	28.9
15	32.7	25.2	13.05	12.15	30.7
16	34.5	27.0	13.05	13.95	32.5
17	36.3	28.8	14.85	13.95	34.3
18	38.1	30.6	14.85	15.75	36.1
19	39.9	32.4	16.65	15.75	37.9
20	41.7	34.2	16.65	17.55	39.7

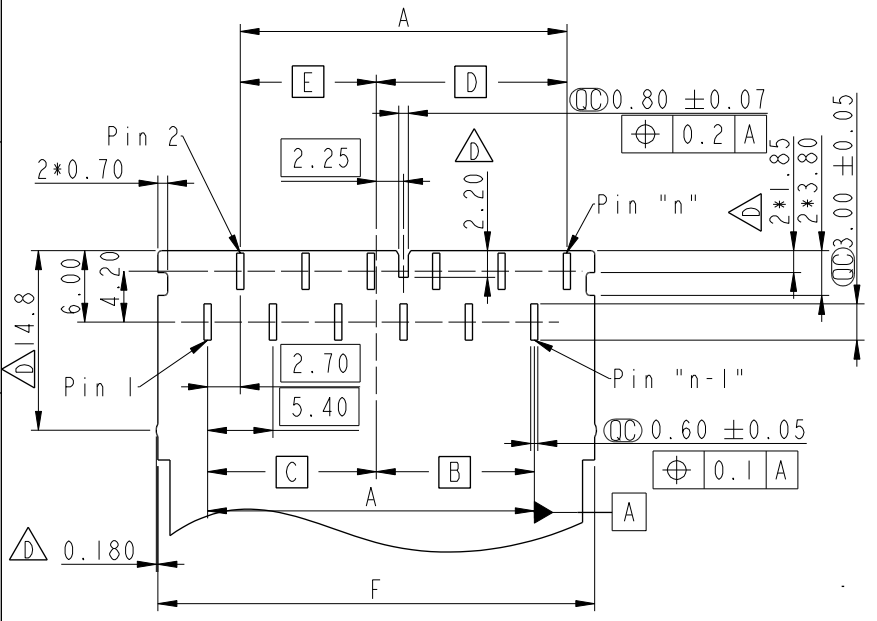
$\triangle B$

UNIT: mm  TOLERANCE .X ±0.25 .XX ±0.1 .XXX ±0.05 ANGLES ±1°	TITLE Z CONN., N SHLD, A, M		<b>Amphenol LTW</b> 安費諾亮泰企業股份有限公司		ITEM NO	DRAWN BY Xiaofeng	DATE 2021/01/14
	SCALE 1:1	SIZE A4			SHEET 3 OF 11	DWG NO ZA-XXNMAN-BN0001	CHECKED BY Feng-Li
	REV. E	WC-REV. .0	$\odot$ : Inspection item	CUSTOMER ALTW	APPROVED BY Jerry	DATE 2021/01/14	

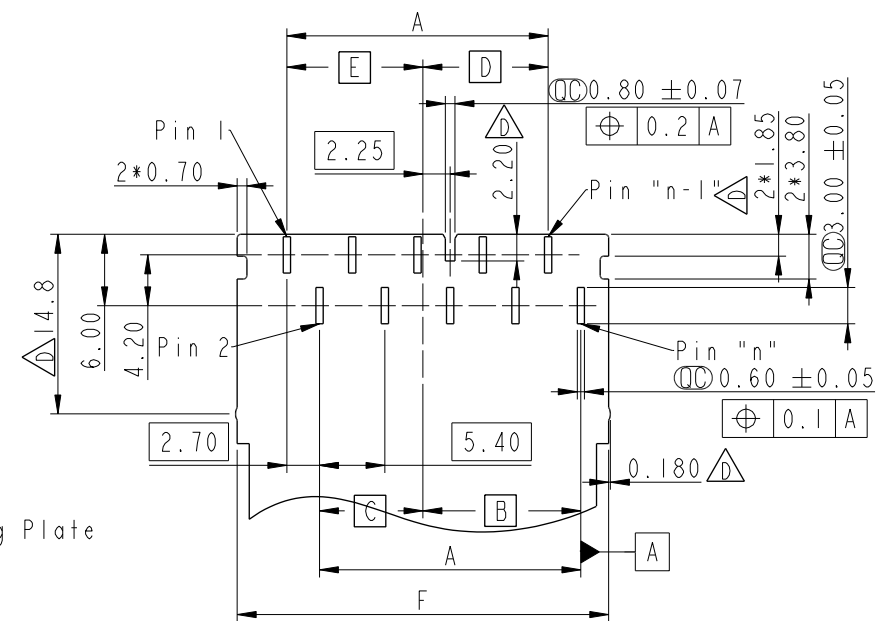
THIS DOCUMENT IS SUBJECT TO CHANGE WITHOUT NOTICE. IT IS CONFIDENTIAL AND A PROPERTY OF Amphenol LTW. DISCLOSURE TO THIRD PARTY HAS TO BE AUTHORIZED BY Amphenol LTW.

THIS DOCUMENT IS SUBJECT TO CHANGE WITHOUT NOTICE. IT IS CONFIDENTIAL AND A PROPERTY OF Amphenol LTW. DISCLOSURE TO THIRD PARTY HAS TO BE AUTHORIZED BY Amphenol LTW.

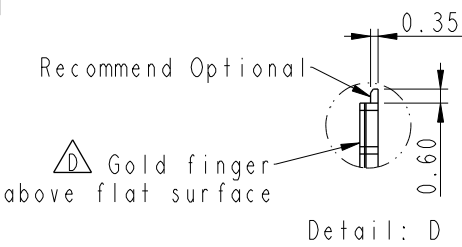
Flexible Printed Circuit  
Pitch 2.7mm



RECOMMENDED FPC LAYOUT



RECOMMENDED FPC LAYOUT



PIN	L (mm)	F (mm)	A (mm)	B (mm)	C (mm)	D (mm)	E (mm)
8	27.3	25.3	16.2	7.65	8.55	10.35	5.85
12	38.1	36.1	27.0	13.05	13.95	15.75	11.25

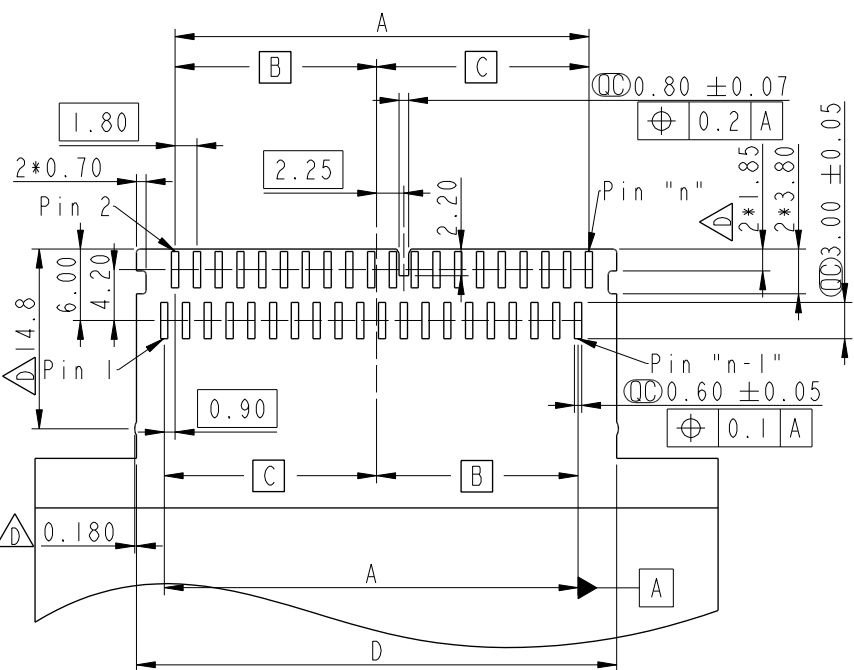
PIN	L (mm)	F (mm)	A (mm)	B (mm)	C (mm)	D (mm)	E (mm)
10	32.7	30.7	21.6	13.05	8.55	10.35	11.25

UNIT: mm			TITLE Z CONN., N SHLD, A, M	
TOLERANCE	.X ±0.25	.XX ±0.1	SCALE 1:1	SIZE A4
.XXX ±0.05	ANGLES ±1°	REV. E	SHEET 4	OF 11
		WC-REV. .0	SHEET 4 OF 11	
		QC: Inspection item		

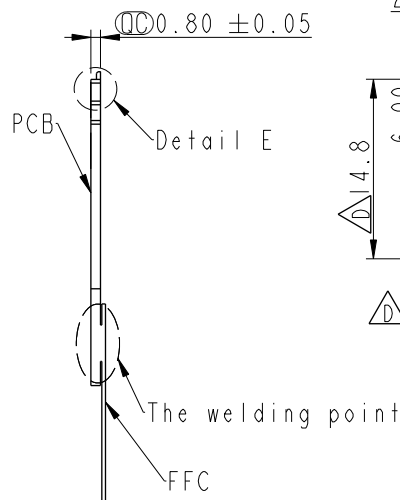
**Amphenol LTW**  
安費諾亮泰企業股份有限公司

ITEM NO	DRAWN BY Xiaofeng	DATE 2021/01/14
DWG NO ZA-XXNMAN-BN0001	CHECKED BY Feng-Li	DATE 2021/01/14
CUSTOMER ALTW	APPROVED BY Jerry	DATE 2021/01/14

Flexible Flat Cables  
Pitch 0.9mm

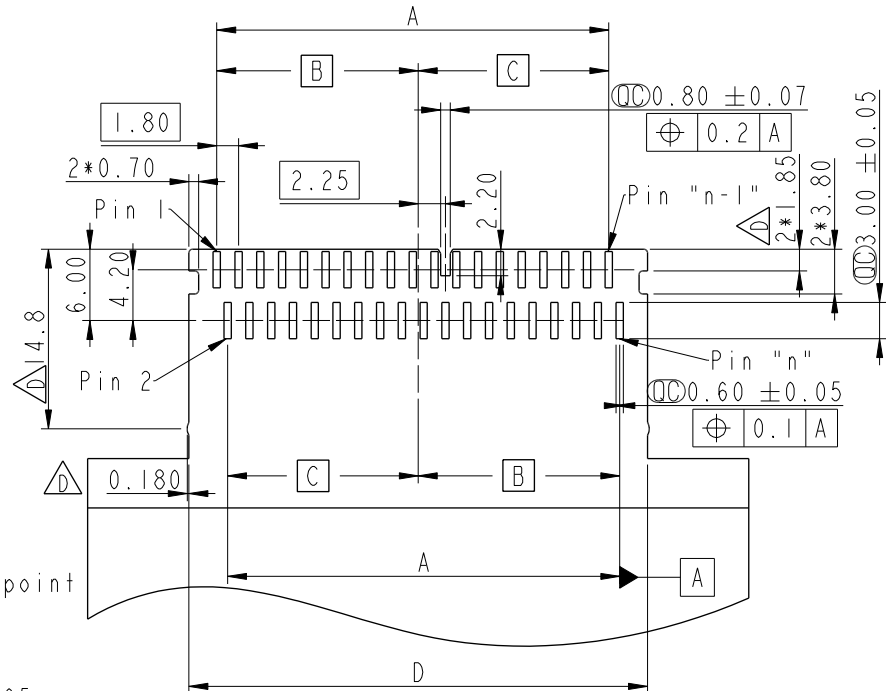


RECOMMENDED FFC LAYOUT



Detail: E

Recommend Optional  
 Gold finger  
 above flat surface

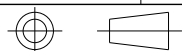


RECOMMENDED FFC LAYOUT

PIN	L (mm)	A (mm)	B (mm)	C (mm)	D (mm)
24	27.3	19.8	9.45	10.35	25.3
28	30.9	23.4	11.25	12.15	28.9
32	34.5	27.0	13.05	13.95	32.5
36	38.1	30.6	14.85	15.75	36.1
40	41.7	34.2	16.65	17.55	39.7

PIN	L (mm)	A (mm)	B (mm)	C (mm)	D (mm)
22	25.5	18.0	9.45	8.55	23.5
26	29.1	21.6	11.25	10.35	27.1
30	32.7	25.2	13.05	12.15	30.7
34	36.3	28.8	14.85	13.95	34.3
38	39.9	32.4	16.65	15.75	37.9

UNIT: mm



TITLE Z CONN., N SHLD, A, M			
SCALE 1:1	SIZE A4	SHEET 5 OF 11	
REV. E	WC-REV. .0	QC: Inspection item	

**Amphenol LTW**  
 安費諾亮泰企業股份有限公司

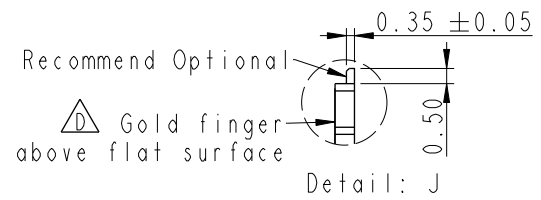
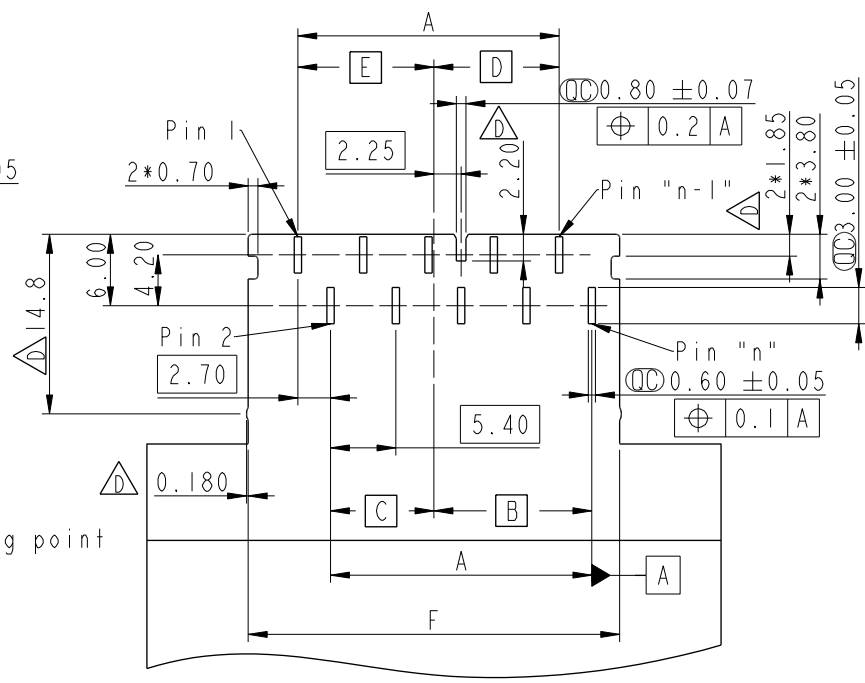
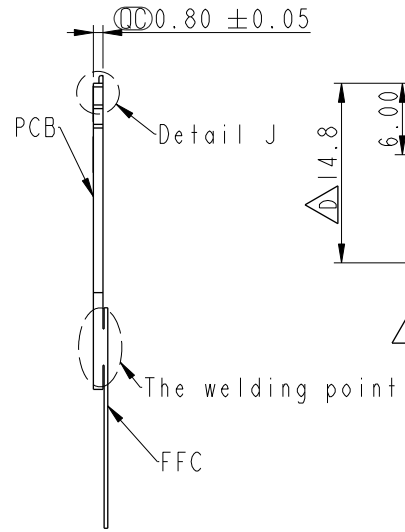
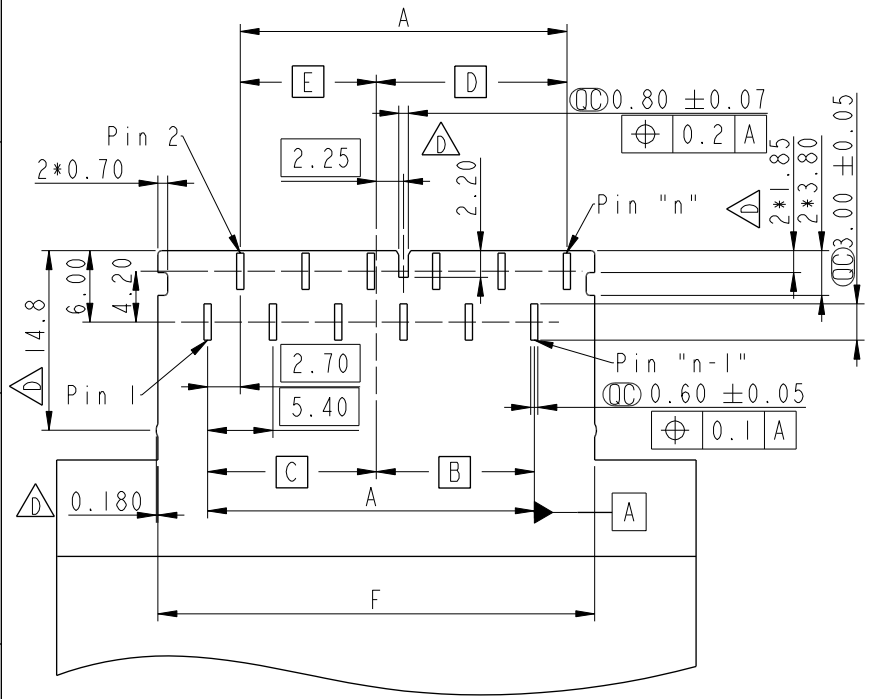
ITEM NO	DRAWN BY Xiaofeng	DATE 2021/01/15
DWG NO ZA-XXNMAN-BN0001	CHECKED BY Feng-Li	DATE 2021/01/15
CUSTOMER ALTW	APPROVED BY Jerry	DATE 2021/01/15

THIS DOCUMENT IS SUBJECT TO CHANGE WITHOUT NOTICE. IT IS CONFIDENTIAL AND A PROPERTY OF Amphenol LTW. DISCLOSURE TO THIRD PARTY HAS TO BE AUTHORIZED BY Amphenol LTW.



THIS DOCUMENT IS SUBJECT TO CHANGE WITHOUT NOTICE. IT IS CONFIDENTIAL AND A PROPERTY OF Amphenol LTW. DISCLOSURE TO THIRD PARTY HAS TO BE AUTHORIZED BY Amphenol LTW.

Flexible Flat Cables  
Pitch 2.7mm



RECOMMENDED FFC LAYOUT

RECOMMENDED FFC LAYOUT

PIN	L (mm)	F (mm)	A (mm)	B (mm)	C (mm)	D (mm)	E (mm)
8	27.3	25.3	16.2	7.65	8.55	10.35	5.85
12	38.1	36.1	27.0	13.05	13.95	15.75	11.25

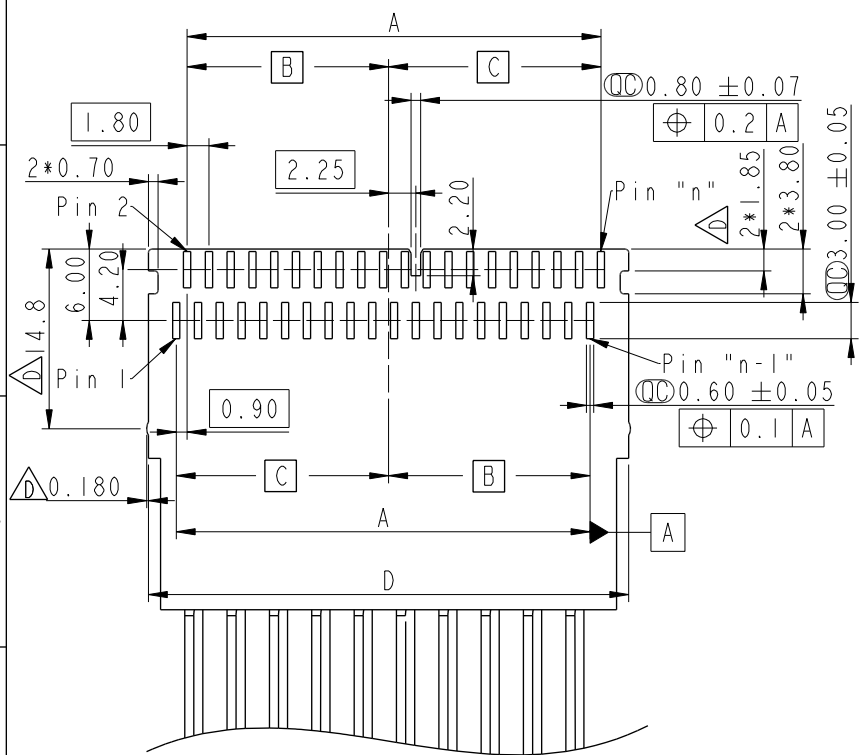
PIN	L (mm)	F (mm)	A (mm)	B (mm)	C (mm)	D (mm)	E (mm)
10	32.7	30.7	21.6	13.05	8.55	10.35	11.25

UNIT: mm			TITLE Z CONN., N SHLD, A, M				
TOLERANCE	.X ±0.25	.XX ±0.1	SCALE 1:1	SIZE A4	SHEET 7 OF 11	REV. E	
ANGLES	.XXX ±0.05	±1°	WC-REV. .0	QC: Inspection item			

**Amphenol LTW**  
安費諾亮泰企業股份有限公司

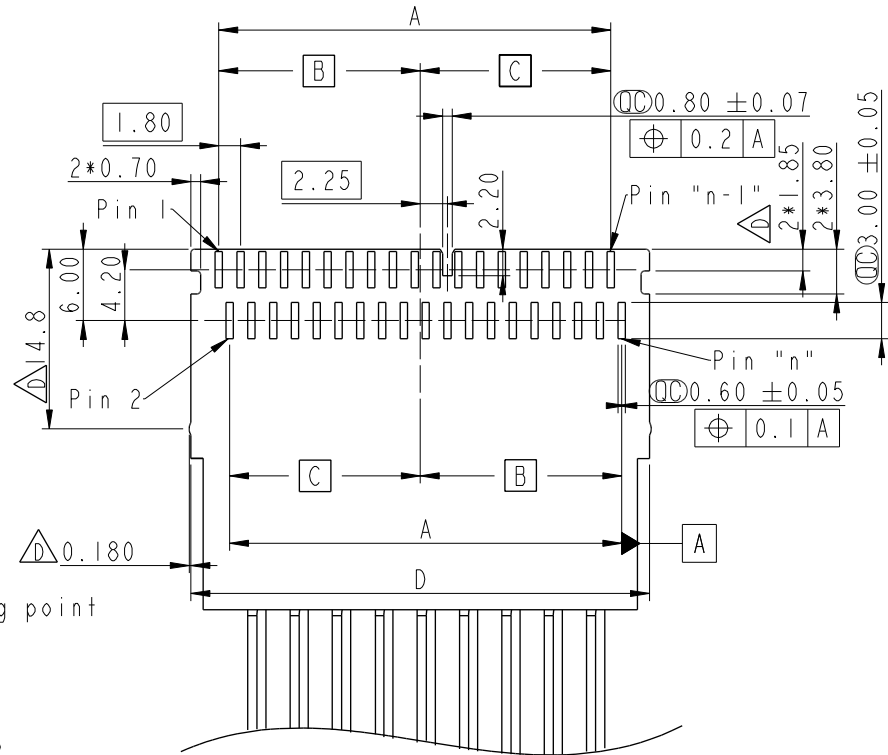
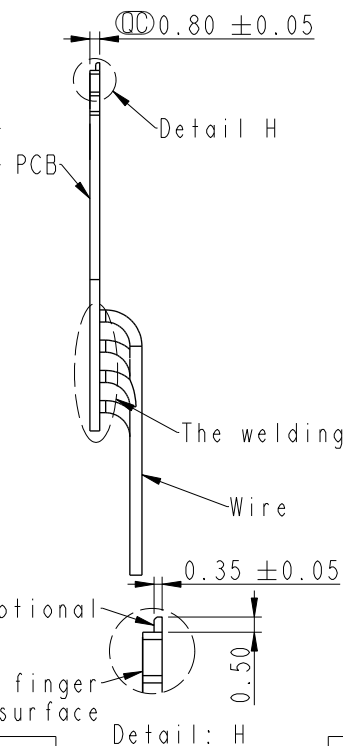
ITEM NO	DRAWN BY Xiaofeng	DATE 2021/01/15
DWG NO ZA-XXNMAN-BN0001	CHECKED BY Feng-Li	DATE 2021/01/15
CUSTOMER ALTW	APPROVED BY Jerry	DATE 2021/01/15

Wire to Board  
Pitch 0.9mm



RECOMMENDED WTB LAYOUT

Recommend Optional  
Gold finger  
above flat surface



RECOMMENDED WTB LAYOUT

PIN	L (mm)	A (mm)	B (mm)	C (mm)	D (mm)
24	27.3	19.8	9.45	10.35	25.3
28	30.9	23.4	11.25	12.15	28.9
32	34.5	27.0	13.05	13.95	32.5
36	38.1	30.6	14.85	15.75	36.1
40	41.7	34.2	16.65	17.55	39.7

PIN	L (mm)	A (mm)	B (mm)	C (mm)	D (mm)
22	25.5	18.0	9.45	8.55	23.5
26	29.1	21.6	11.25	10.35	27.1
30	32.7	25.2	13.05	12.15	30.7
34	36.3	28.8	14.85	13.95	34.3
38	39.9	32.4	16.65	15.75	37.9

UNIT: mm

TOLERANCE  
.X ±0.25  
.XX ±0.1  
.XXX ±0.05  
ANGLES ±1°

TITLE  
Z CONN., N SHLD, A, M

SCALE  
1:1

SIZE  
A4

SHEET  
8 OF 11

REV.  
E

WC-REV.  
.0

QC: Inspection item

**Amphenol LTW**  
安費諾亮泰企業股份有限公司

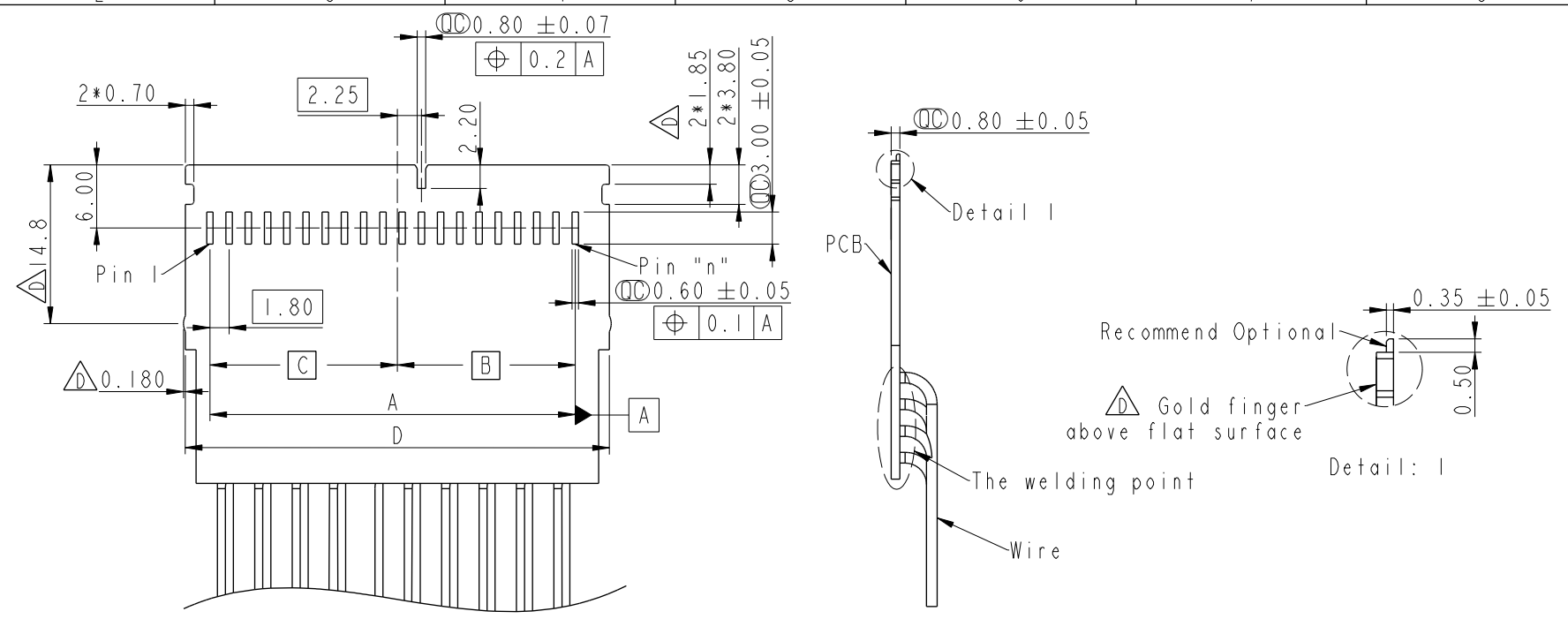
ITEM NO	DRAWN BY	DATE
DWG NO	Checked By	DATE
CUSTOMER	APPROVED BY	DATE

ALTW



THIS DOCUMENT IS SUBJECT TO CHANGE WITHOUT NOTICE. IT IS CONFIDENTIAL AND A PROPERTY OF Amphenol LTW. DISCLOSURE TO THIRD PARTY HAS TO BE AUTHORIZED BY Amphenol LTW.

Wire to Board  
Pitch 1.8mm



RECOMMENDED WTB LAYOUT

PIN	L (mm)	A (mm)	B (mm)	C (mm)	D (mm)
11	25.5	18.0	9.45	8.55	23.5
12	27.3	19.8	9.45	10.35	25.3
13	29.1	21.6	11.25	10.35	27.1
14	30.9	23.4	11.25	12.15	28.9
15	32.7	25.2	13.05	12.15	30.7
16	34.5	27.0	13.05	13.95	32.5
17	36.3	28.8	14.85	13.95	34.3
18	38.1	30.6	14.85	15.75	36.1
19	39.9	32.4	16.65	15.75	37.9
20	41.7	34.2	16.65	17.55	39.7

UNIT: mm

TOLERANCE  
 .X ±0.25  
 .XX ±0.1  
 .XXX ±0.05  
 ANGLES ±1°

TITLE  
Z CONN., N SHLD, A, M

SCALE 1:1 SIZE A4 SHEET 9 OF 11

REV. E WC-REV. .0

QC: Inspection item

**Amphenol LTW**  
 安費諾亮泰企業股份有限公司

ITEM NO

DWG NO  
ZA-XXNMAN-BN0001

CUSTOMER  
ALTW

DRAWN BY  
Xiaofeng

CHECKED BY  
Feng-Li

APPROVED BY  
Jerry

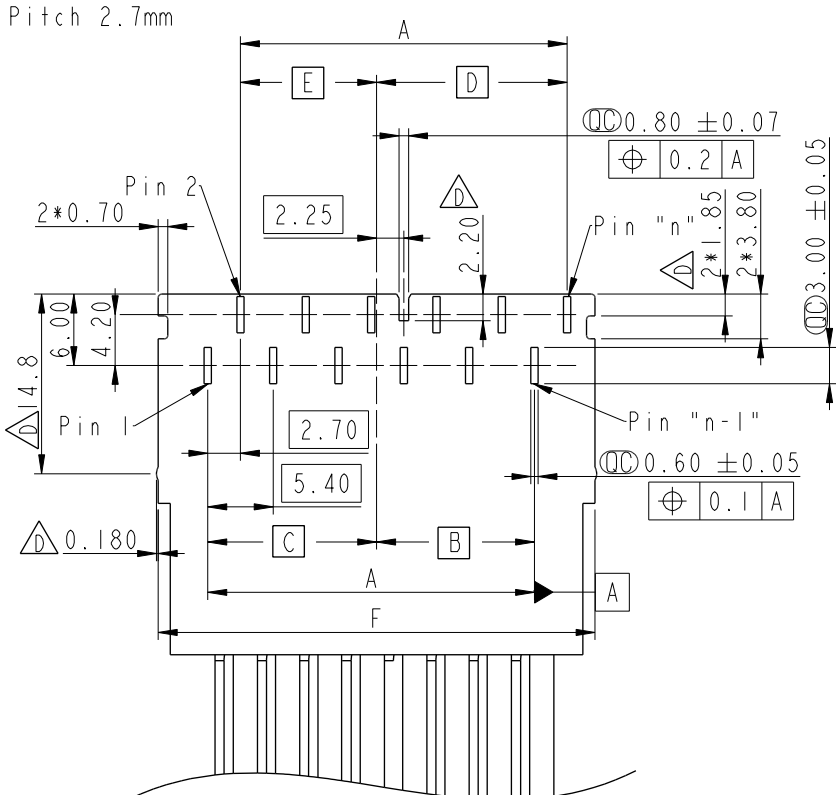
DATE  
2021/01/15

DATE  
2021/01/15

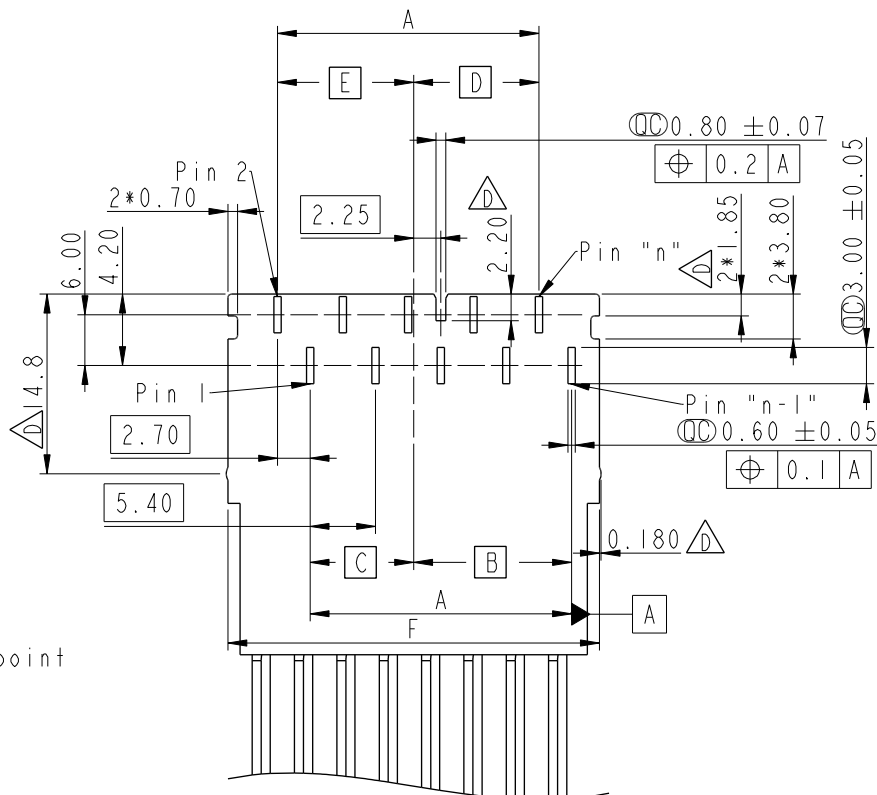
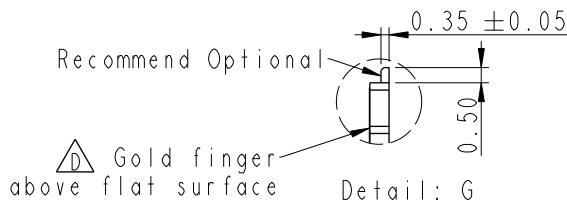
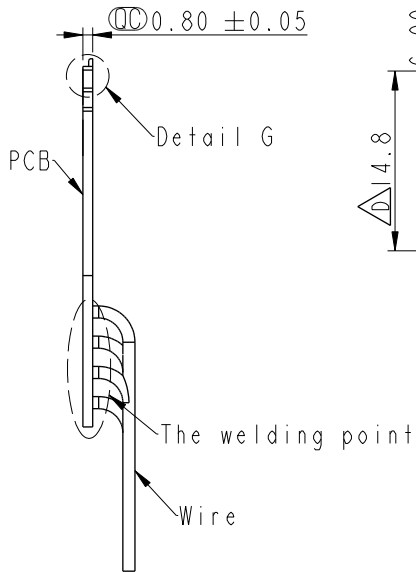
DATE  
2021/01/15

THIS DOCUMENT IS SUBJECT TO CHANGE WITHOUT NOTICE. IT IS CONFIDENTIAL AND A PROPERTY OF Amphenol LTW. DISCLOSURE TO THIRD PARTY HAS TO BE AUTHORIZED BY Amphenol LTW.

Wire to Board  
Pitch 2.7mm



RECOMMENDED WTB LAYOUT



RECOMMENDED WTB LAYOUT

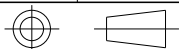
$\triangle$ B

PIN	L (mm)	F (mm)	A (mm)	B (mm)	C (mm)	D (mm)	E (mm)
8	27.3	25.3	16.2	7.65	8.55	10.35	5.85
12	38.1	36.1	27.0	13.05	13.95	15.75	11.25

$\triangle$ B

PIN	L (mm)	F (mm)	A (mm)	B (mm)	C (mm)	D (mm)	E (mm)
10	32.7	30.7	21.6	13.05	8.55	10.35	11.25

UNIT: mm



TITLE Z CONN., N SHLD, A, M		
SCALE 1:1	SIZE A4	SHEET 10 OF 11
REV. E	WC-REV. .0	QC: Inspection item

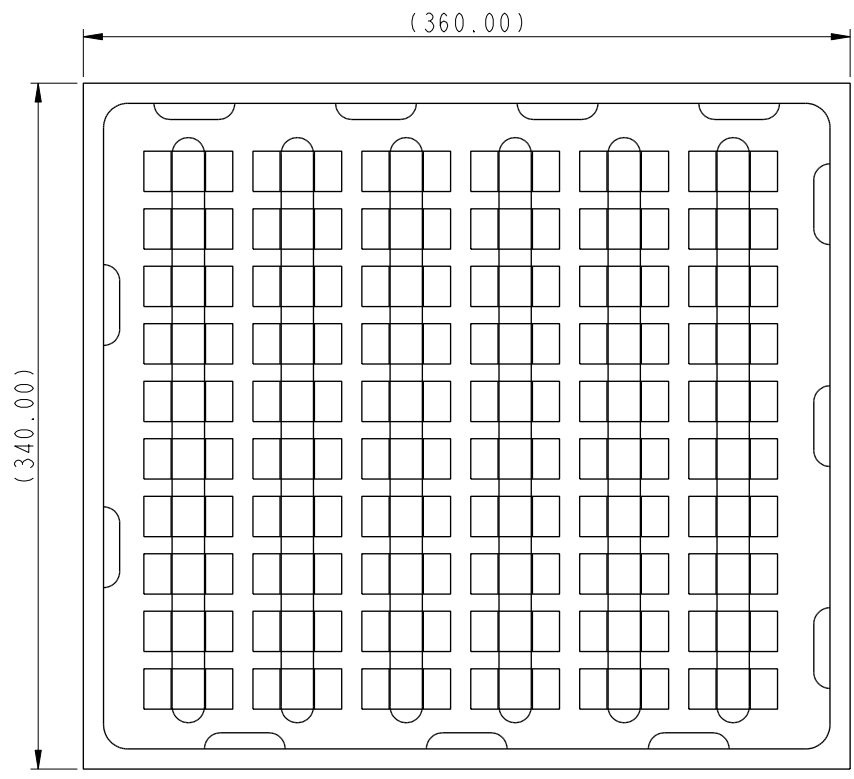
**Amphenol LTW**  
安費諾亮泰企業股份有限公司

ITEM NO	DRAWN BY Xiaofeng	DATE 2021/01/15
DWG NO ZA-XXNMAN-BN0001	CHECKED BY Feng Li	DATE 2021/01/15
CUSTOMER ALTW	APPROVED BY Jerry	DATE 2021/01/15

THIS DOCUMENT IS SUBJECT TO CHANGE WITHOUT NOTICE. IT IS CONFIDENTIAL AND A PROPERTY OF Amphenol LTW. DISCLOSURE TO THIRD PARTY HAS TO BE AUTHORIZED BY Amphenol LTW.

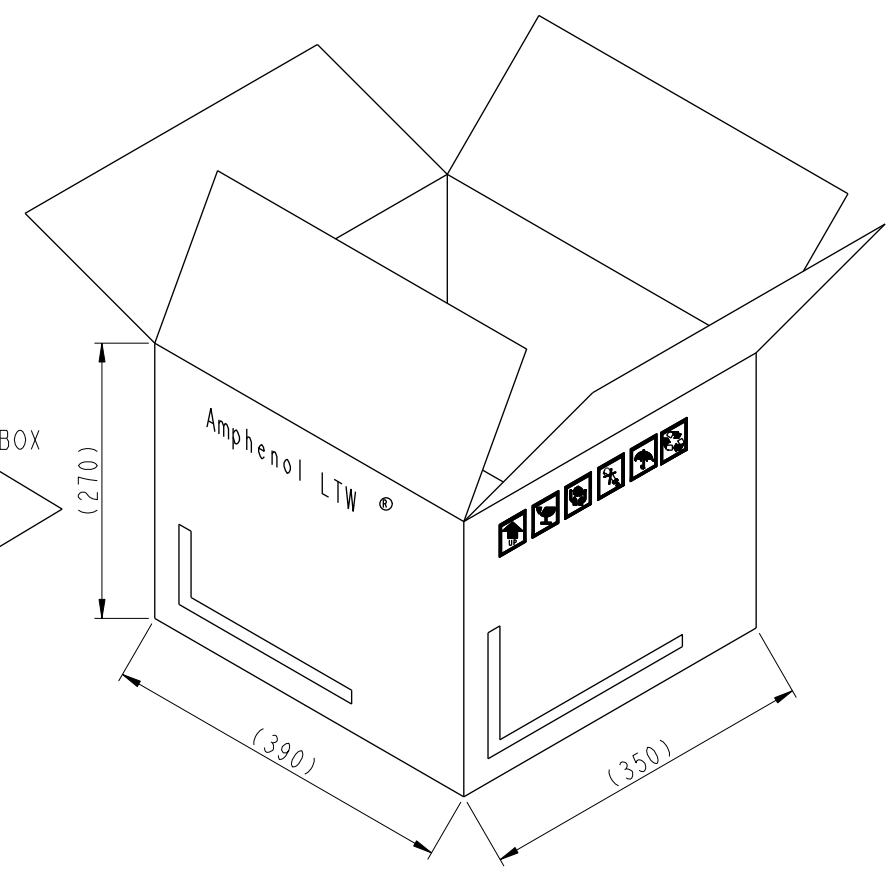
△B Packing:  
△D

Vacuum-Cover Lower Cover



60 PCS/Tray

△C  
20 Tray/BOX  
→



Note:  
\* (C) Important Dimensions To Check.  
\* Material: PET, 0.6mm, CR

UNIT: mm		
TOLERANCE		
.X	±0.25	
.XX	±0.1	
.XXX	±0.05	
ANGLES	±1°	

TITLE Z CONN., N SHLD, A, M		
SCALE 1:1	SIZE A4	SHEET 11 OF 11
REV. E	WC-REV. .0	(C): Inspection item

**Amphenol LTW**  
安費諾亮泰企業股份有限公司

ITEM NO	DRAWN BY Xiaofeng	DATE 2021/01/15
DWG NO ZA-XXNMAN-BN0001	CHECKED BY Feng Li	DATE 2021/01/15
CUSTOMER ALTW	APPROVED BY Jerry	DATE 2021/01/15